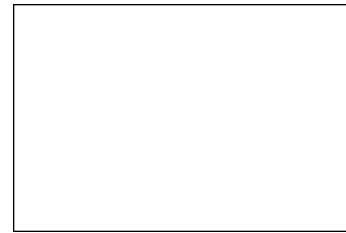




Quatro 4 Sietro 6 Retracting Clothesline

Owners Manual



RD10054a

CONGRATULATIONS ON THE PURCHASE OF YOUR NEW HILLS RETRACTING CLOTHESLINE, WHICH WILL BRING YOU MANY YEARS OF TROUBLE-FREE AND EFFICIENT OUTDOOR DRYING.

IT IS IMPORTANT THAT YOU READ THIS OWNERS MANUAL AND WARNINGS THOROUGHLY BEFORE ASSEMBLING AND USING THE RETRACTING CLOTHESLINE. IN THIS WAY YOU WILL BENEFIT FROM ALL OF THE DESIGN FEATURES AND ENJOY SAFE AND EFFICIENT USE OF THE PRODUCT.

THANK YOU FOR CHOOSING HILLS

"PATENTS AND REGISTERED DESIGNS APPLY TO THIS PRODUCT".

WARNINGS

- X DO NOT** ALLOW CHILDREN OR PETS TO SWING ON THE CLOTHESLINE OR ITEMS OF LAUNDRY.
- X DO NOT** USE FOR ANY PURPOSE OTHER THAN TO HANG AND DRY WASHING.
- X DO NOT** USE YOUR RETRACTING CLOTHESLINE IF PARTS ARE WORN OR DAMAGED.
- X DO NOT** OPERATE THE LOCKING HANDLE WHEN THE ARM IS LOCATED IN THE CABINET.
- X DO NOT** RELEASE THE LOCKING MECHANISM WHEN THERE ARE CLOTHES ATTACHED TO THE LINES.
- X DO NOT** ALLOW THE ARM AND LINES TO RETRACT UNCONTROLLED AS THIS MAY LEAD TO PERSONAL INJURY OR PROPERTY DAMAGE. HOLD THE ARM SECURELY AND WALK IT BACK TO THE CABINET.

OPTIONAL MOUNTING KITS

PART DESCRIPTION	KEY No.	PART NAME	QTY
POST KIT — TWO PIECE ORDER FD51006	—	TOP POST SECTION	1
	—	BOTTOM POST SECTION	1
ACCESSORY PACK	—	COLLAR	1
	12	BOLT 1/4" BSW x 2 1/2" HEX	2
	436	NUT 1/4" UNC NYLOC	2
	779	POST CAP 50mm SQ.	1
	33	BOLT 5/16" x 2 3/4" HEX	2
	426	NUT 5/16" BSW HEX	2
CABINET MOUNTING BAR ORDER FD51008 FD51016	—	4 LINE MOUNTING BAR	1
	—	6 LINE MOUNTING BAR	1
ACCESSORY PACK	30	BOLT 5/16" BSW x 2" HEX	2
	34	BOLT 5/16" BSW x 3" HEX	2
	36	BOLT 5/16" BSW x 3 1/2" HEX	2
	426	NUT 5/16" BSW HEX	4
	500	WASHER 5/16" x 1" x 14g	4
	665	PLUG 1" SQ PLASTIC	2
GROUND SOCKET ORDER FD51012	—	GROUND SOCKET	1
POST KIT — ONE PIECE ORDER FD51004	—	SINGLE POST SECTION	1
ACCESSORY PACK	780	POST CAP 60mm SQ.	1
	426	NUT 5/16" BSW HEX	2
	34	BOLT 5/16" BSW x 3" HEX	2

REFER TO INSTRUCTION SHEETS PROVIDED WITH OPTIONAL MOUNTING KITS FOR INSTALLATION.

HILLS GUARANTEE

HILLS INDUSTRIES LIMITED undertake that if any part of its manufacture has failed to operate correctly due to faulty workmanship or defective material, it will repair or replace the part free of cost for a period of TEN (10) years from the date of purchase of the article, given fair wear and tear. The line is also guaranteed for a period of ONE (1) year. Evidence of unfair usage or incorrect adjustment by the owner will void this promise.

HILLS INDUSTRIES LIMITED will not be responsible for any costs in connection with freight or postage, or for the expenditure necessary to dismantle the article, replace the part in position and re-assemble the article.

This guarantee is in addition to any rights or remedies conferred on the consumer by the Trades Practices Act or state laws.

As a proudly Australian manufacturer, Hills is committed to providing you complete customer satisfaction. If you have questions about this product, or find there are missing or damaged parts. PLEASE CALL Hills on **1300 300 819** (cost of a local call) for assistance during normal business hours.

HILLS INDUSTRIES LIMITED does not recommend the application of a 'canopy' on any of their outdoor dryer range.

Unless any addition or attachment to this product has HILLS specific approval or is sold as a HILLS product the warranty on this product is waived. This product is designed to perform a specific task under established test loads and unauthorised attachments may produce stresses for which the design is not appropriate.

Design, specifications and colours are subject to change without notice.

HILLS INDUSTRIES LIMITED

A.B.N. 35 007 573 417
ISSUE 10/02/05

IMPORTANT: Please retain this owners manual for spare parts identification. Record the following information from the carton for future reference.

Product Number: FD.....
Record date of purchase.....
Name and location of store.....

SPARE PARTS

SPARE PARTS ARE AVAILABLE FROM YOUR RETAILER

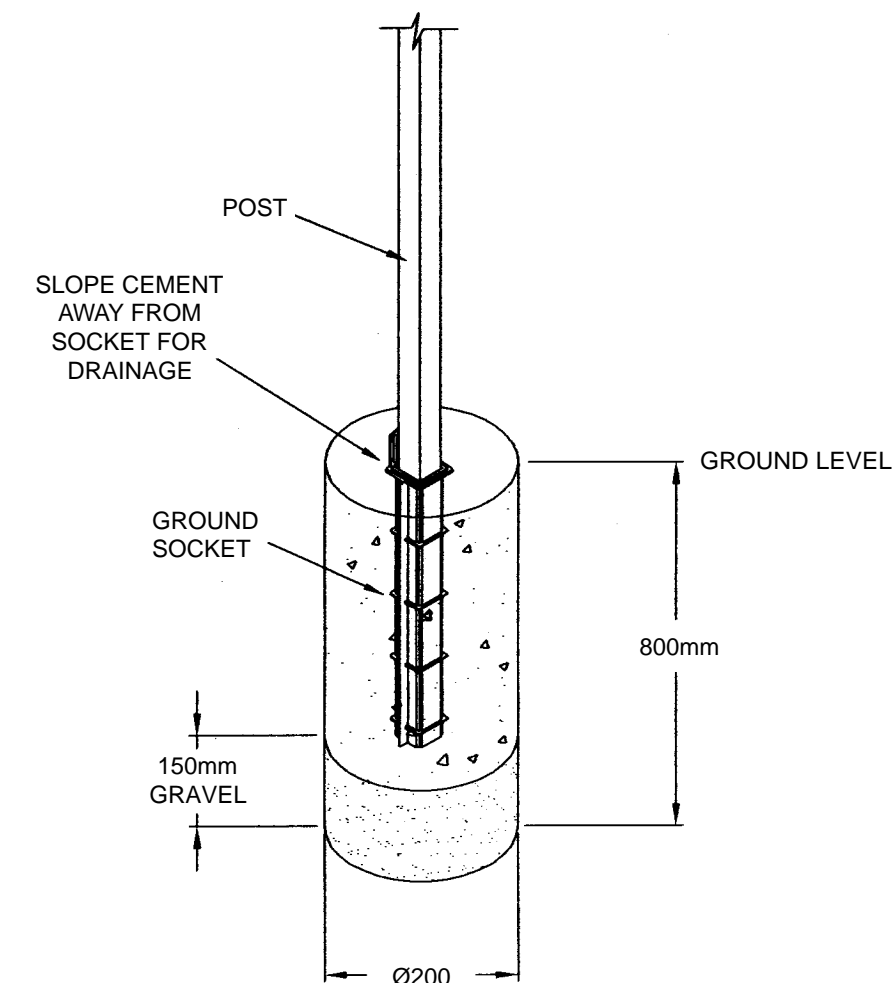
PART NAME	KIT NO.
SPOOL ASSEMBLY & LINE	FD901715

A MORE COMPREHENSIVE RANGE OF SPARE PARTS IS AVAILABLE UPON REQUEST. PLEASE CALL HILLS CONSUMER ADVICE CENTRE ON **1300 300 564** (COST OF A LOCAL CALL) FOR ASSISTANCE DURING NORMAL BUSINESS HOURS OR VISIT www.hills.com.au.

RETRACTING CLOTHESLINE CHECKLIST

CONTENTS OF CARTON			
PART DESCRIPTION	KEY No.	PART NAME	QTY
CARTON PACK	—	EXTENDALINE CABINET	1
	—	ACCESSORY PACK	1
ACCESSORY PACK	—	RECEIVING BRACKET	1
	500	WASHER 5/16" x 1" ZP	2
	546	WASHER 5/16" x 3/4" ZP	4
	—	HANDLE	1
	—	FLANGED NUT	2
	—	CSK SCREW M6 x 35	2

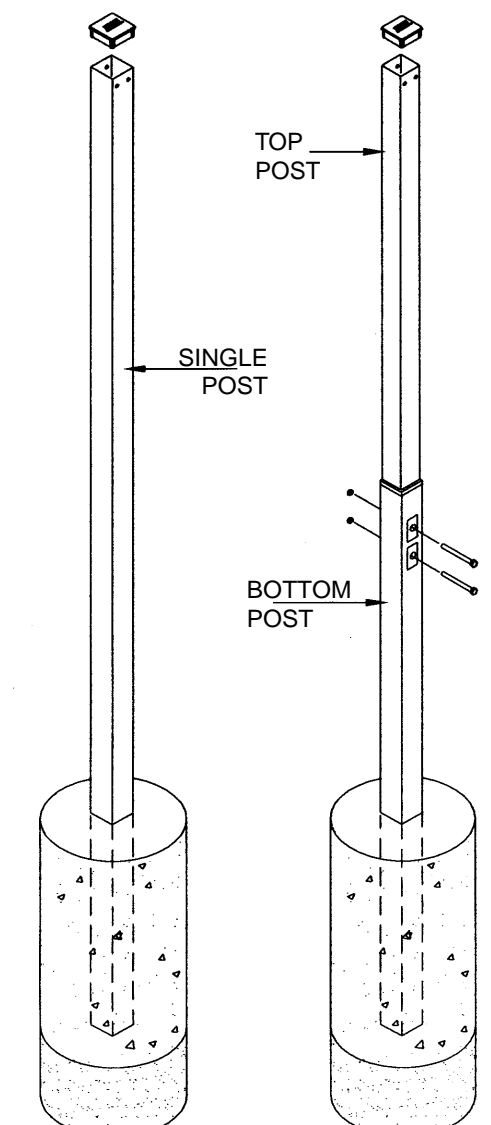
OPTIONAL GROUND SOCKET - FD51012



DO NOT USE BEFORE 48hrs

INSTALLATION INSTRUCTIONS INCLUDED IN GROUND SOCKET KIT

OPTIONAL POST MOUNTS

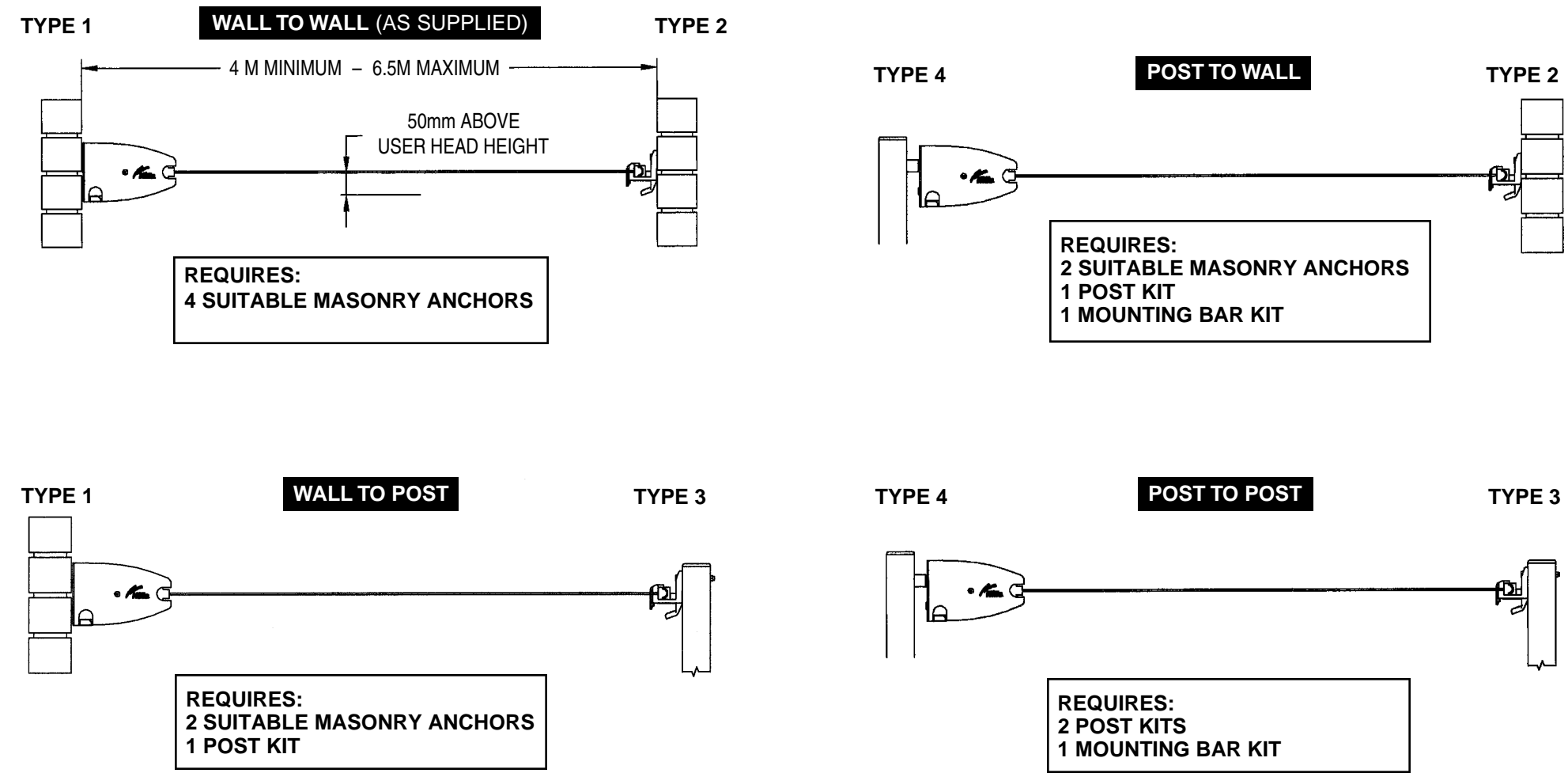


FD51004
ONE PIECE
POST KIT

FD51006
TWO PIECE
POST KIT

INSTALLATION INSTRUCTIONS INCLUDED IN POST MOUNT KIT

1

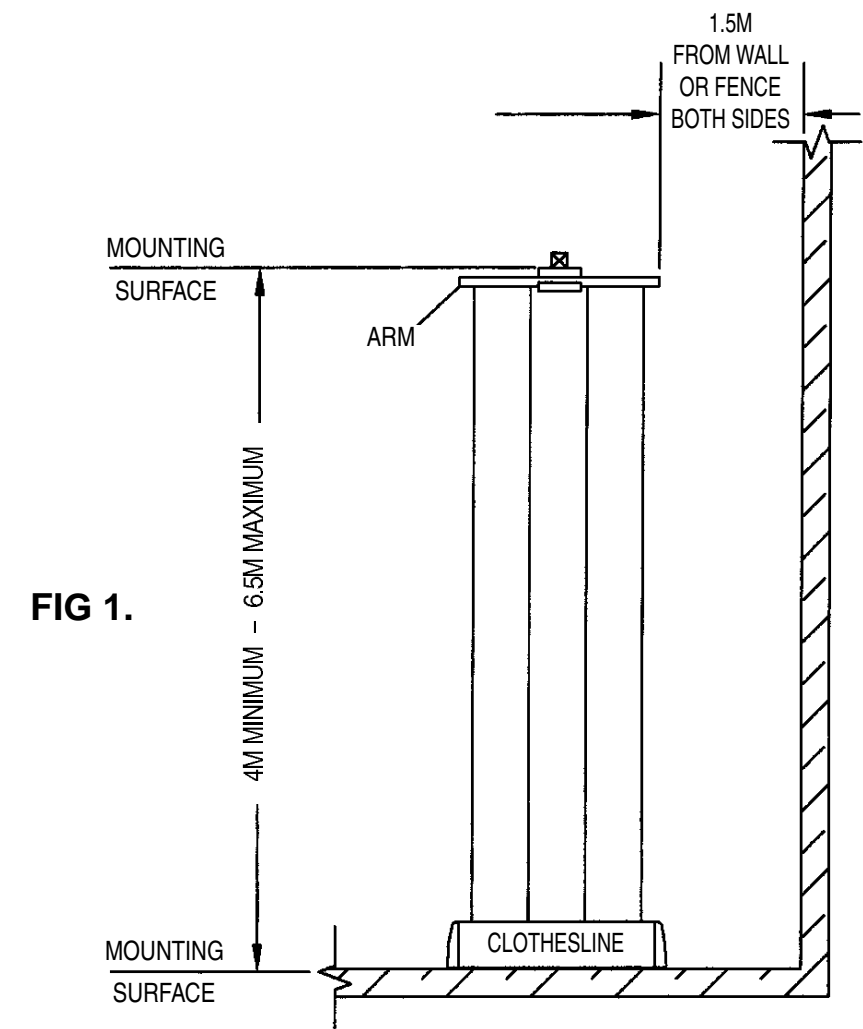


IMPORTANT

MASONRY ANCHORS ARE NOT INCLUDED. CONSULT YOUR LOCAL HARDWARE DEALER FOR ANCHORS MOST SUITABLE FOR YOUR PARTICULAR APPLICATION.

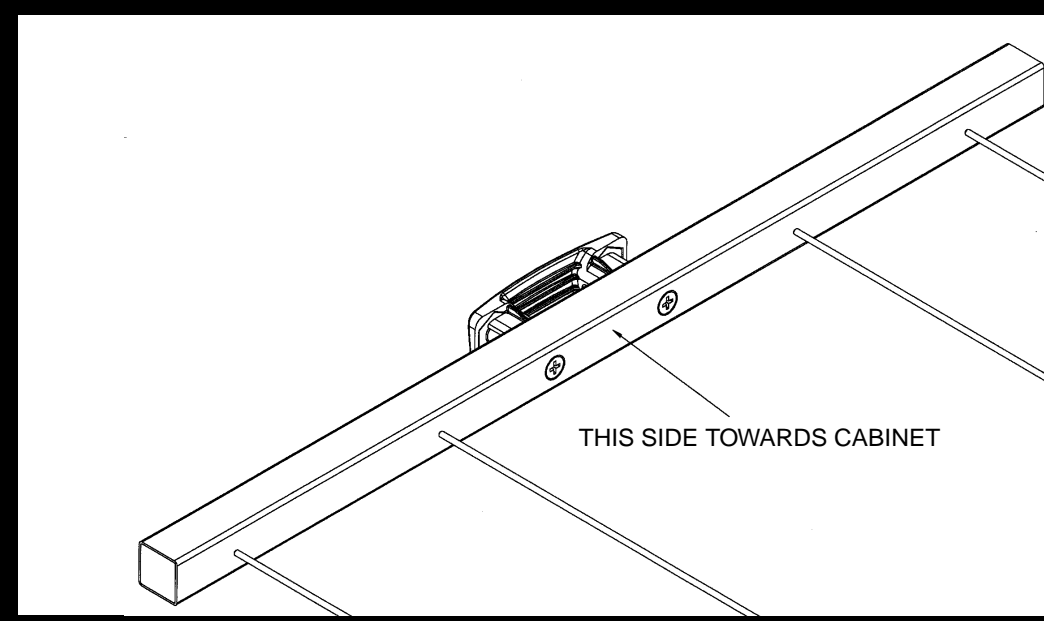
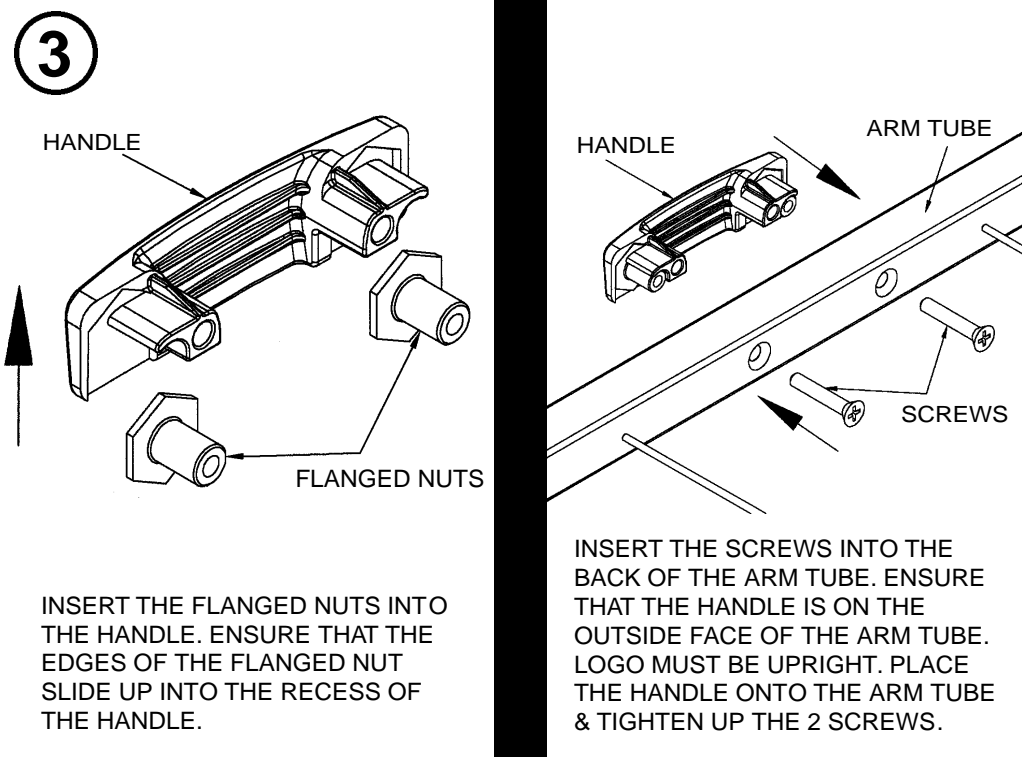
2

IMPORTANT: SELECT A SUITABLE SITE TO INSTALL YOUR NEW **RETRACTING CLOTHESLINE** DRYER. DETERMINE WHICH MOUNTING METHOD YOU WANT TO USE AND FOLLOW THE SIMPLE INSTRUCTIONS DISPLAYED BELOW AS SHOWN IN FIG 1. **DO NOT EXCEED 6.5 METRES** BETWEEN MOUNTING SURFACES. ALLOW 1.5 METRES SIDE CLEARANCE BETWEEN THE LINE AND WALL, FENCE, SHED ETC.

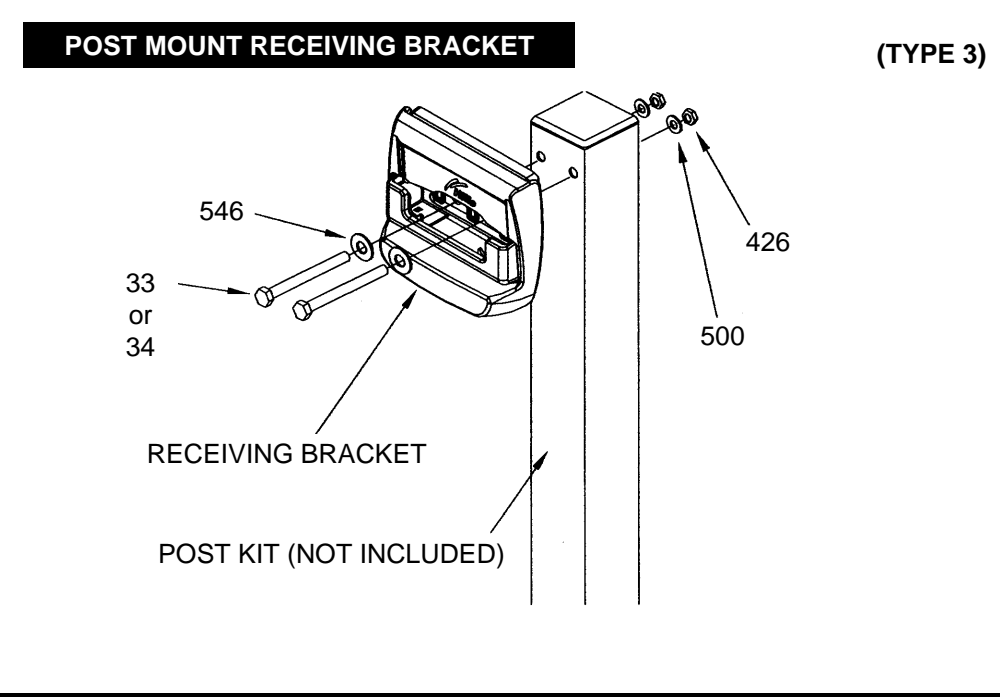
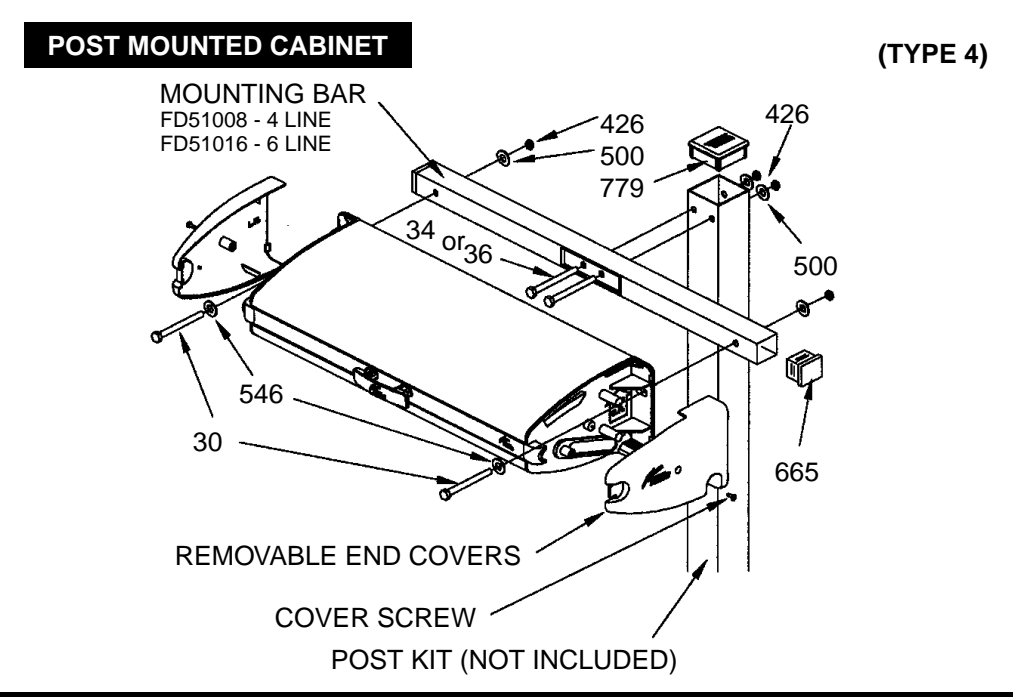
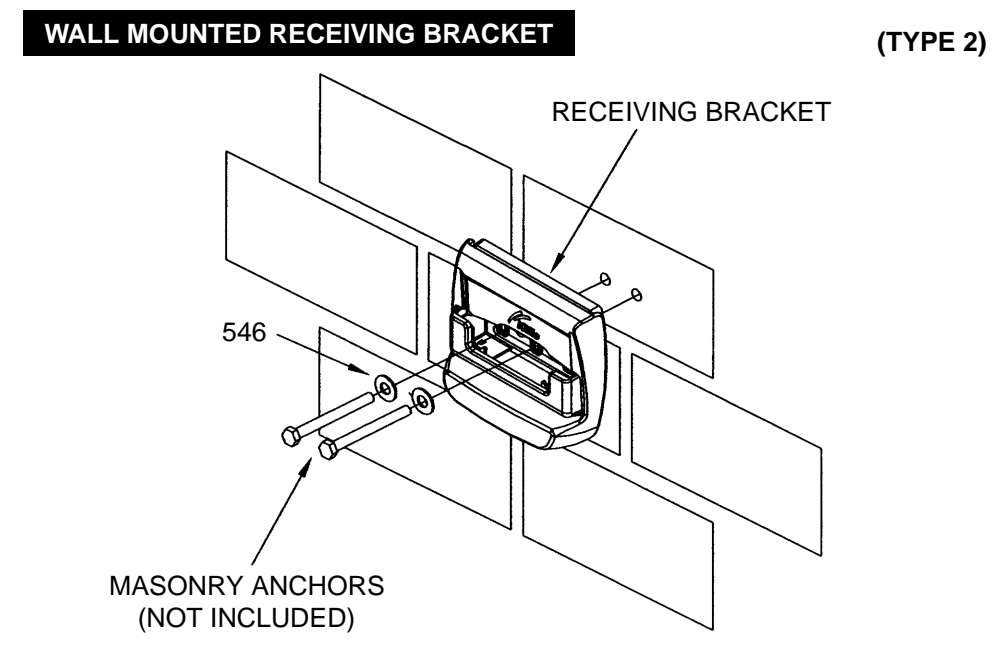
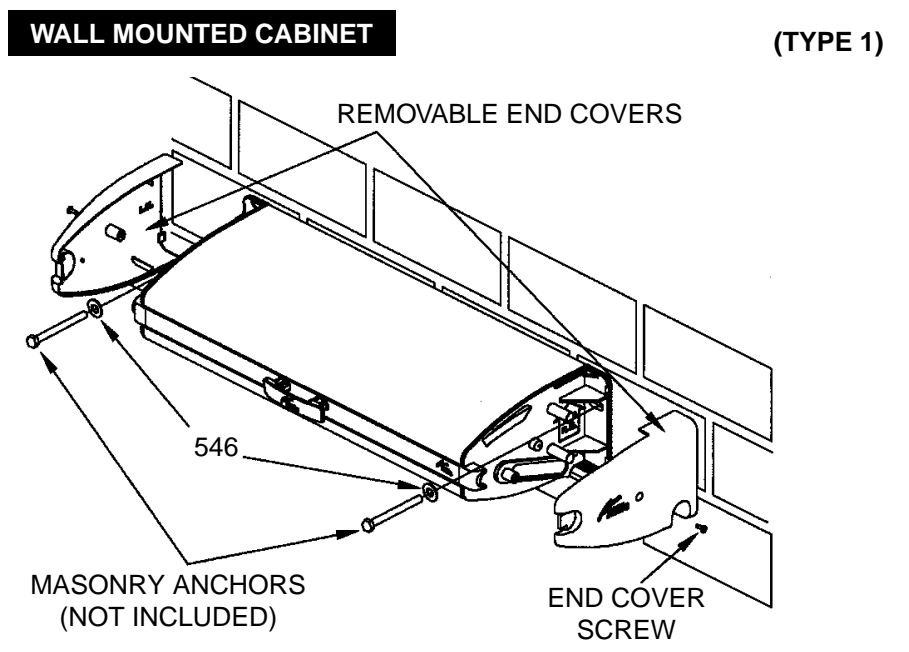


IMPORTANT: MAY NOT BE SUITABLE FOR MOUNTING ON TIMBER FRAME DWELLINGS UNLESS CABINET OR RECEIVING BRACKET IS MOUNTED DIRECTLY ONTO VERTICAL STUDS. NOT THE CLADDING.

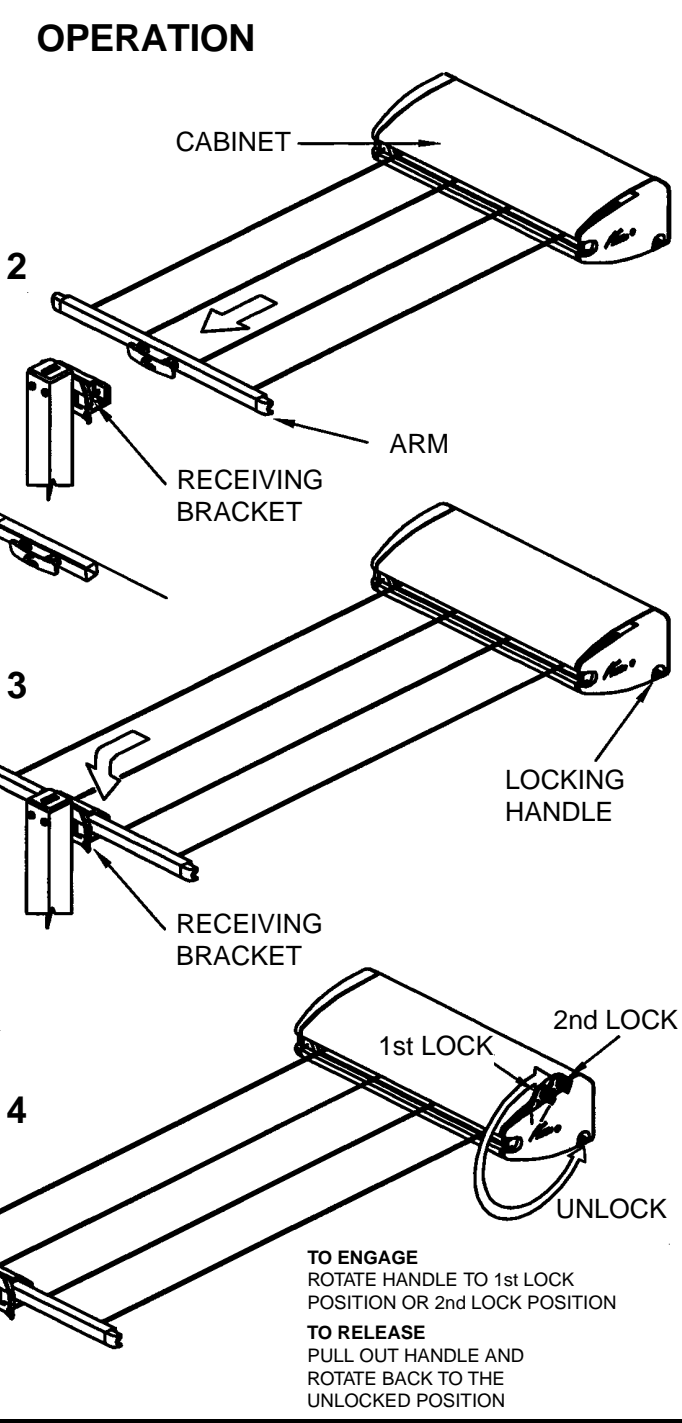
3



4



5



IMPORTANT: DO NOT operate the Locking Handle when the Arm is located in the Cabinet. DO NOT release the locking mechanism when there are clothes attached to the lines.

TO EXTEND THE LINE:
 Pull the Arm from the Cabinet, holding it firmly, walk it down to the Receiving Bracket. See Fig 2.

TO ATTACH THE ARM:
 Grip the Arm with each hand either side of the Receiving Bracket. Place the Arm into the top of the bracket. Push against receiving bracket & pulling it down until it locks into place. See Fig 3 & 5.

TO LOCK AND TENSION THE LINE:
 When the Arm is engaged into the Receiving Bracket, rotate the Locking Handle located on the right hand side of the Cabinet from the unlocked position upwards and around until it snaps into the first lock position. This provides normal tension of the lines. See Fig 6. Check that the handle is locked by pulling firmly on the lines. See Fig 4 & 6. For extra tension of the lines, rotate the locking handle further until it locates into the second lock position. See Fig 6.

TO UNLATCH THE ARM:
WARNING: Ensure lines are not under high tension before unlatching the arm. Pull out locking handle and return to unlock position. See Fig 4 and Fig 6. On the Receiving Bracket, push base forwards with one hand and lift arm upwards with other hand. See Fig 7.

IMPORTANT:
 Lines are under spring tension. DO NOT allow the arm and lines to retract uncontrolled as this may lead to personal injury or property damage. Hold the Arm securely and walk it back to the Cabinet.

