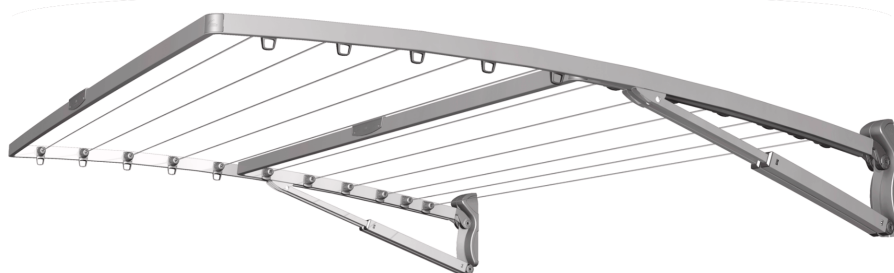


# Hills® Supa® Fold

Folding Frame Clothesline

Owner's Manual



## TO SUIT MODELS:

Supa® Fold 230 *Advantage*

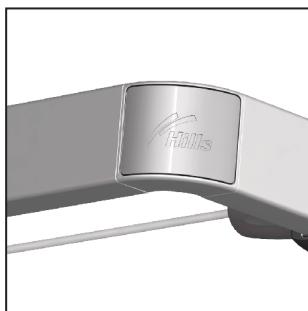
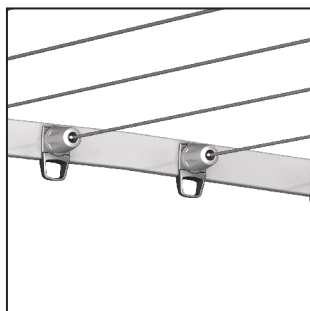
Supa® Fold 230

Supa® Fold 210

Supa® Fold 190

Supa® Fold 120

Supa® Fold 70



## Congratulations

Congratulations on the purchase of your **Supa® Fold Folding Frame Clothesline**, which will bring you many years of trouble free and efficient drying.

It is important that you read this Owner's Manual thoroughly before installation and use. In this way you will benefit from all the design features and enjoy safe use of the product.

Thank you for choosing Hills.

## Warning

- Do not allow children or pets to swing on the Clothesline or items of laundry.
- Ensure when raising and lowering your Clothesline that bystanders (in particular children) are standing well clear.
- Do not use for any purpose other than to hang and dry washing.
- Do not use your Clothesline if parts are worn or damaged.
- Do not allow the frame to lower in an uncontrolled manner as damage or injury may result.
- Patents and Registered Designs apply to this product.

## Consumer Advice

Please retain this Owner's Manual. Record the following information from the carton for future reference.

Product Number: FD.....

Date of purchase:.....

Name and location of store:.....

.....

## Unpacking the Supa® Fold Folding Frame Clothesline

1. Open the front face of the carton (all carton materials can be recycled).
2. Unclip the plastic Packing Blocks that secure the clothesline within the carton. Note: the lid on one of these Packing Blocks holds the Hex keys used for assembly. You can remove and hang the lid to keep your Hex keys in a safe place!
3. Check all components are in the carton (refer to tables below for your model).

### Supa® Fold 230 Advantage/ Supa® Fold 230

Part name	Qty.
Mount Bracket Assembly - LH	1
Mount Bracket Assembly - RH	1
Arm Outer Assembly - LH	1
Arm Outer Assembly - RH	1
Arm Inner Assembly - LH	1
Arm Inner Assembly - RH	1
Spreader Bar Outer	1
Spreader Bar Inner	1
Corners	4
Line Assemblies	11
Packing Blocks	2
Hex Key - 6mm	1
Hex Key - 5mm	1
Supa® Fold 230 Accessory Bag:	1
Cover Caps	22
Large Bayonet Caps	4
Small Bayonet Caps	4
Owner's Manual	1

For any assistance in Australia call **Hills Consumer Advice** on **1300 300 564** (cost of a local call) during normal business hours or visit **www.hills.com.au**

For any assistance in New Zealand call **09 262 3052** during normal business hours.

**Supa® Fold 210**

<b>Part name</b>	<b>Qty.</b>
Mount Bracket Assembly - LH	1
Mount Bracket Assembly - RH	1
Arm Assembly - LH	1
Arm Assembly - RH	1
Spreader Bar	1
Corners	2
Line Assemblies	10
Packing Blocks	2
Hex Key - 6mm	1
Hex Key - 5mm	1
Supa® Fold 210 Accessory Bag:	1
Cover Caps	20
Large Bayonet Caps	2
Small Bayonet Caps	2
Owner's Manual	1

**Supa® Fold 190**

<b>Part name</b>	<b>Qty.</b>
Mount Bracket Assembly - LH	1
Mount Bracket Assembly - RH	1
Arm Assembly - LH	1
Arm Assembly - RH	1
Spreader Bar	2
Corners	2
Line Assemblies	6
Packing blocks	2
Hex Key - 6mm	1
Hex Key - 5mm	1
Supa® Fold Accessory Bag:	1
Cover Caps	12
Large Bayonet Caps	2
Small Bayonet Caps	2
Spreader Accessory Bag:	1
Spreader Handle	1
Spreader Joiner	1
Hex Key - 4mm	1
M6 x 16.0 Bolt	2
Owner's Manual	1

**Supa® Fold 120 / Supa® Fold 70**

<b>Part name</b>	<b>Qty.</b>
Mount Bracket Assembly - LH	1
Mount Bracket Assembly - RH	1
Arm Assembly - LH	1
Arm Assembly - RH	1
Spreader Bar	1
Corners	2
Line Assemblies	6
Packing Blocks	2
Hex Key - 6mm	1
Hex Key - 5mm	1
Supa® Fold Accessory Bag:	1
Cover Caps	12
Large Bayonet Caps	2
Small Bayonet Caps	2
Owner's Manual	1

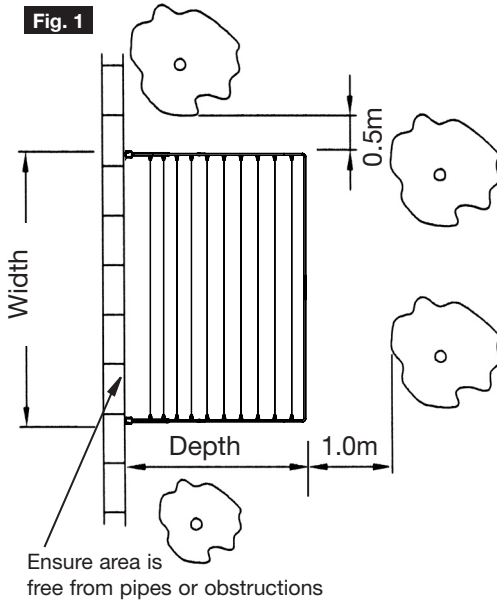
## Select a suitable location

1. Select a suitable location for either wall or post mounted installation.

**If wall mounted** - ensure area is free from pipes and other obstructions.

**If post mounted** - you will need to purchase the Hills Ground Mount Kit to suit your Supa® Fold Clothesline.

2. Ensure you have left sufficient space surrounding the Clothesline (**Fig. 1**). We recommend 0.5m each side and 1m in front, as well as sufficient space to clear the eaves of the house (refer to pg.7)



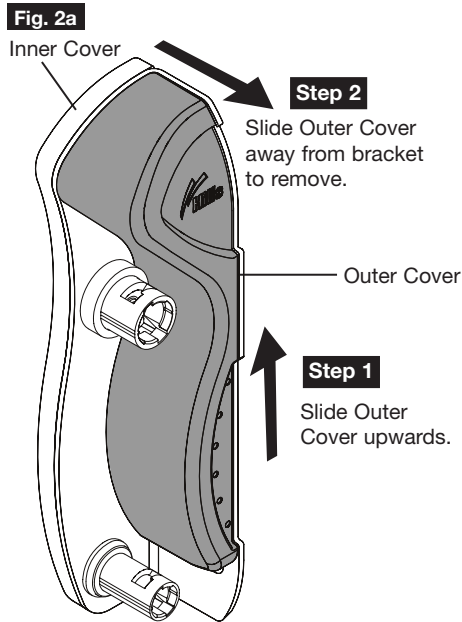
### Product Dimensions

Product	Width (mm)	Depth (mm)
Supa® Fold 230 <i>Advantage</i>	2270	1500
Supa® Fold 230	2270	1500
Supa® Fold 210	2270	1500
Supa® Fold 190	3420	780
Supa® Fold 120	2270	780
Supa® Fold 70	1270	780

## Remove Outer Covers from Mounting Brackets

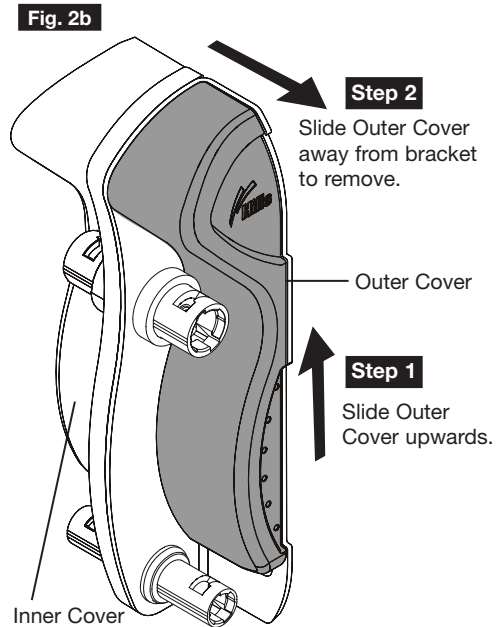
Remove the plastic Outer Cover mouldings. Removing the Outer Cover moulding allows access to the mount holes in the mount brackets (**Fig. 2a and 2b**).

**Note:** The Inner Cover mouldings are secured using screws and do not need to be removed.



Right Hand Mount Bracket Assembly shown.

**This Assembly is used in models Supa® Fold 210, 190, 120 and 70.**



Right Hand Mount Bracket Assembly shown.

**This Assembly is used in models Supa® Fold 230 Advantage and 230.**

## Fixing to a wall

Mark position of Mount Bracket hole centres on the wall. Refer to **Fig.3** to install your brackets.

### Suggested method

- Ensure the selected area is free from pipes and other obstructions.
- Mount one bracket assembly first and use this to align the other bracket.
- Hold brackets against wall and use them to mark the hole centres.
- Ensure brackets are vertical and align horizontally, (a spirit level and a straight edge will help) (**Fig. 3**).
- Ensure there is a minimum 400mm clearance from the top of the brackets to any overhead obstructions including eaves, gutters etc. to allow for upward movement of frame (**Fig. 4**).

**Note:** If you are replacing an existing Hills Folding Frame product, the mount hole centres may be the same. Therefore your new Supa® Fold Folding Frame Clothesline may be able to utilise the existing fasteners provided they are suitable and in good condition.

**'Mount Hole Centres'**

Product	Centres (mm)
Supa® Fold 230 <i>Advantage</i>	2200
Supa® Fold 230	2200
Supa® Fold 210	2200
Supa® Fold 190	3350
Supa® Fold 120	2200
Supa® Fold 70	1200

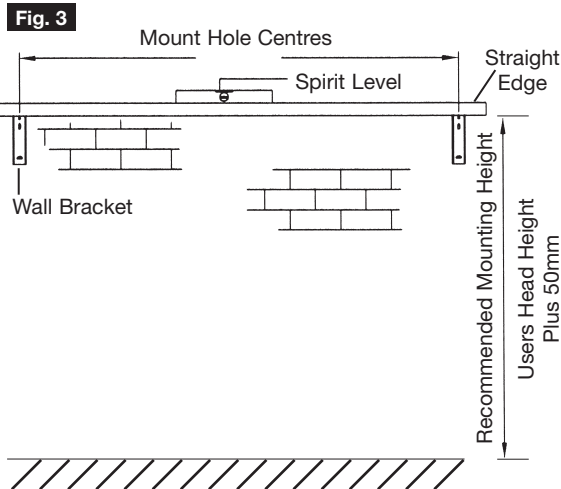
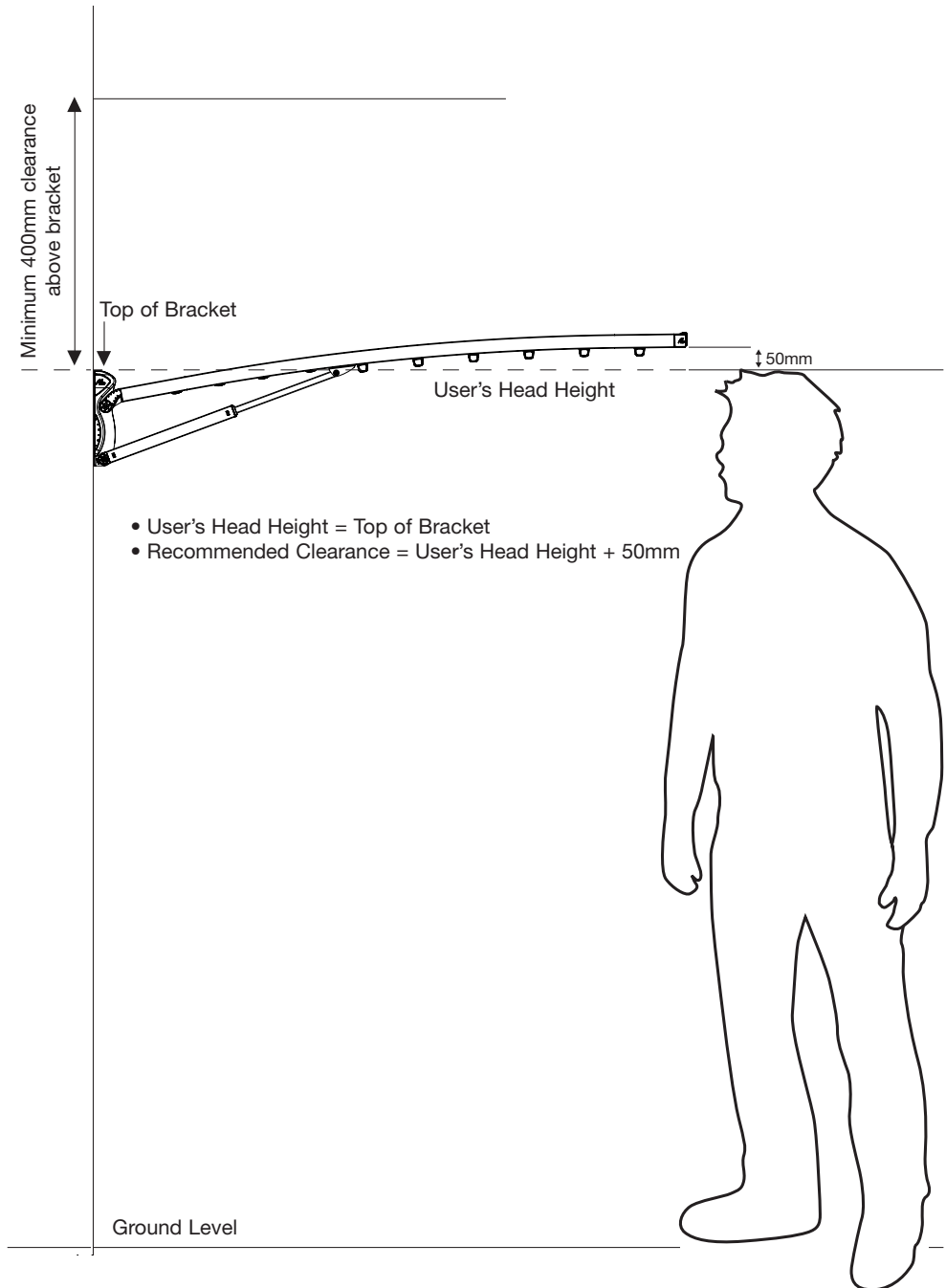


Fig. 4

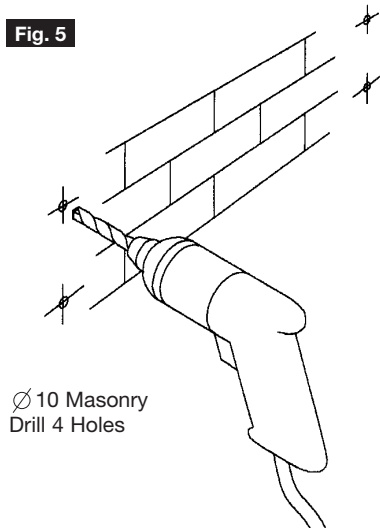


# Installation

## 1. Drill holes in wall.

### Installation method

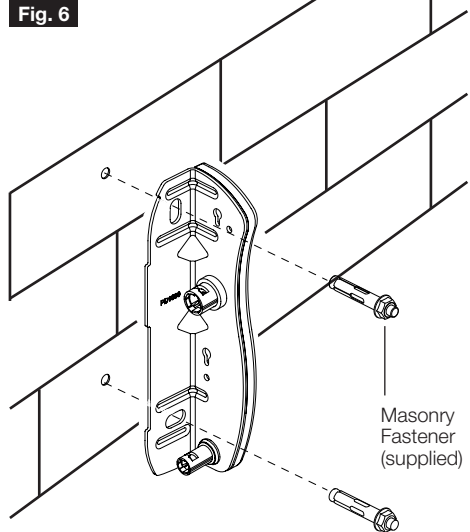
- A.** Masonry fasteners are included with this product. Note: these fasteners are designed only for installation in sound masonry walls. If these fasteners are not suitable for your wall or you have any doubt, consult your local hardware store for advice.
- B.** If you are using these masonry fasteners, drill a  $\varnothing 10\text{mm}$  hole using a masonry drill (Fig.5).
- C.** Clear holes of dust and debris.



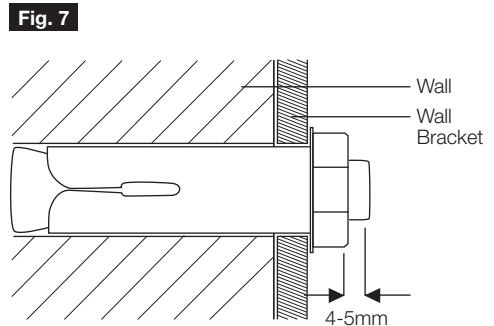
Ø 10 Masonry Drill 4 Holes

## 2. Secure Mount Brackets

Locate mount bracket assembly over holes in wall, insert masonry fasteners and secure as per diagram below (Fig.6).



**3. Ensure threads do not protrude more than 4-5mm or interference with Outer Covers may occur (Fig 7).**





## Fixing to a Post Kit

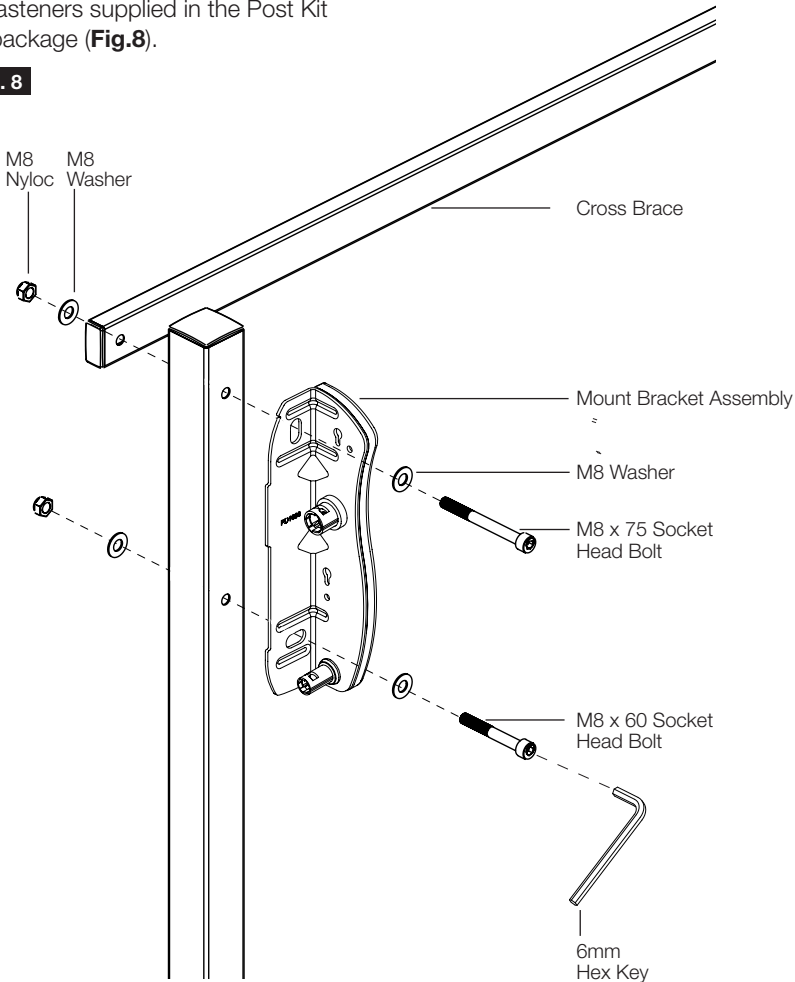
### 1. Install your Post Kit

Post Kits for Supa® Fold Folding Frame Clotheslines are available as optional accessories. Install the Post Kit as per the separate instructions provided with the kit.

### 2. Remove the Cross Brace

During installation of your Post Kit the Cross Brace would have been fitted across the vertical posts. Hold the Mount Bracket Assemblies in position and reattach the Cross Brace using the fasteners supplied in the Post Kit package (**Fig.8**).

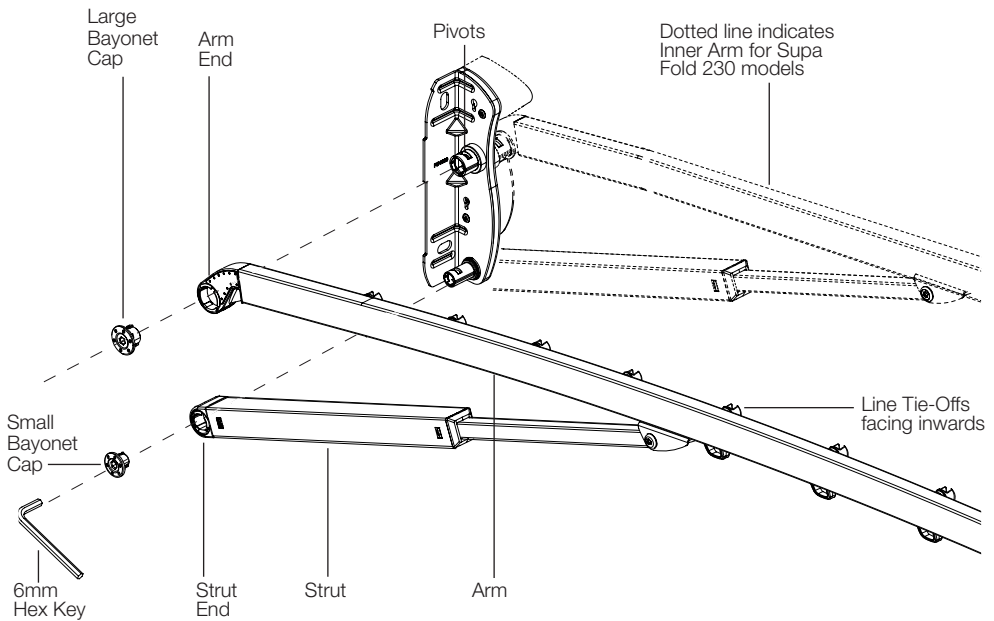
**Fig. 8**



## 1. Fit Arms to Mount Brackets (Fig.9)

- A.** Fit arm assembly to Mount Bracket Assembly, ensuring Arm and Strut Ends engage with the Pivots. Ensure Line Tie-Offs are facing inwards.
- B.** Secure arms using Bayonet Caps
  - Note:** the larger Bayonet Cap is used to secure the Arm End and the smaller Bayonet Cap is used to secure the Strut End.
- C.** Lock Bayonet Caps using 6mm Hex Key supplied, by turning clockwise until a slight 'click' is felt or heard.
- D.** Repeat for the other side.
- E.** If assembling Supa® Fold 230 Models repeat the process for the shorter, Inner Arm assemblies.

**Fig. 9**

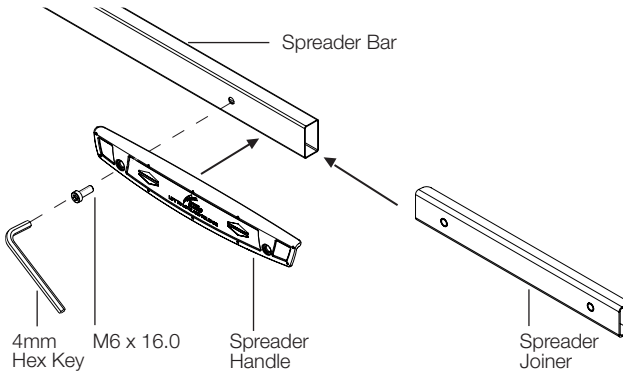


## 2. Assemble the Spreader Bar (Supa® Fold 190 only)

The Spreader Bar is pre-assembled in all models except the Supa® Fold 190, which requires the following assembly.

- A. Assemble the Spreader Bars using the Spreader Joiner and Spreader Handle (supplied in Spreader accessory bag).
- B. Insert Spreader Joiner into one Spreader Bar, align mount holes and loosely secure Spreader Handle using M6 x 16.0 low profile socket bolt (**Fig.10**).

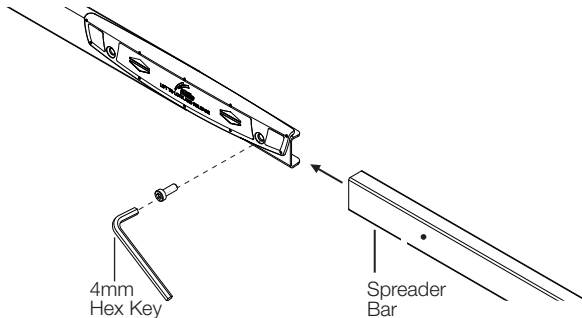
**Fig. 10**



- C. Assemble second Spreader Bar (**Fig.11**) and secure using M6 x 16.0 low profile socket bolt.

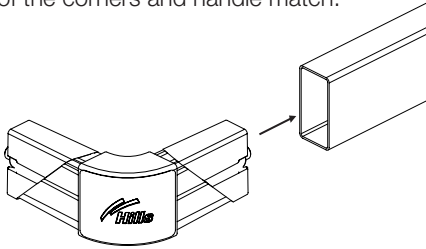
- D. Tighten both bolts using 4mm Hex Key supplied in the Spreader Accessory Bag.

**Fig. 11**

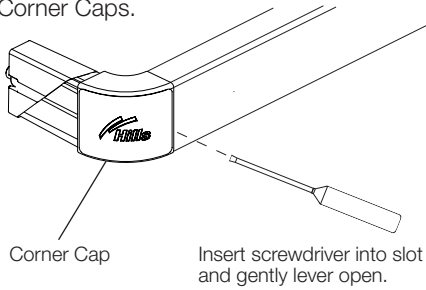


## 3. Assemble Corners into Spreader Bar

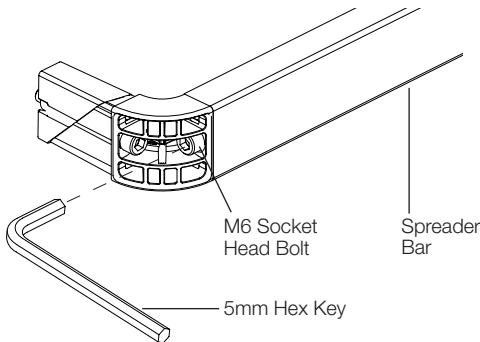
- A.** Insert Corners into **both ends** of Spreader Bar, ensure the orientation of the corners and handle match.



- B.** To secure the Corners, remove the Corner Caps.



- C.** Tighten M6 socket head bolt using 5mm Hex Key.



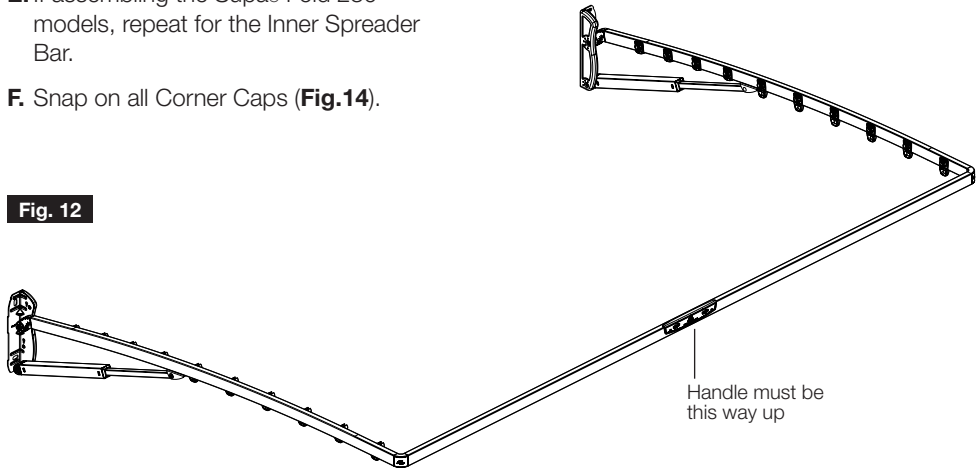
- D.** If assembling the Supa® Fold 230 models, repeat for the Inner Spreader Bar.

- E.** Do not re-assemble Corner Caps yet.

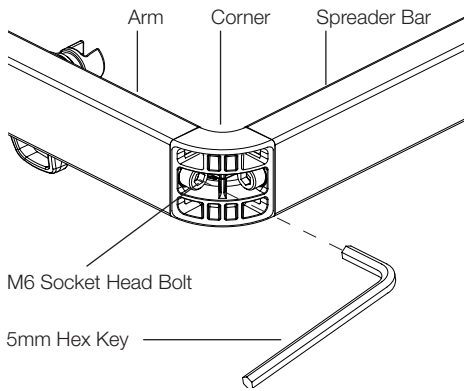
## 4. Assemble Spreader Bar to Arms

- A. Raise both Arms to the 'horizontal' position (refer to Operation section, page 17).
- B. Insert the Corners into Arm Ends.
- C. Ensure the Handle moulding is the correct way-up (**Fig.12**).
- D. Secure both Corners by tightening M6 socket head bolt using 5mm hex key (**Fig.13**).
- E. If assembling the Supa® Fold 230 models, repeat for the Inner Spreader Bar.
- F. Snap on all Corner Caps (**Fig.14**).

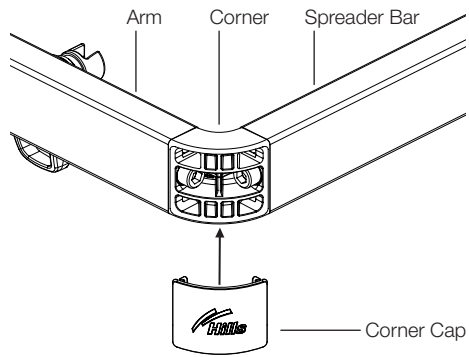
**Fig. 12**



**Fig. 13**



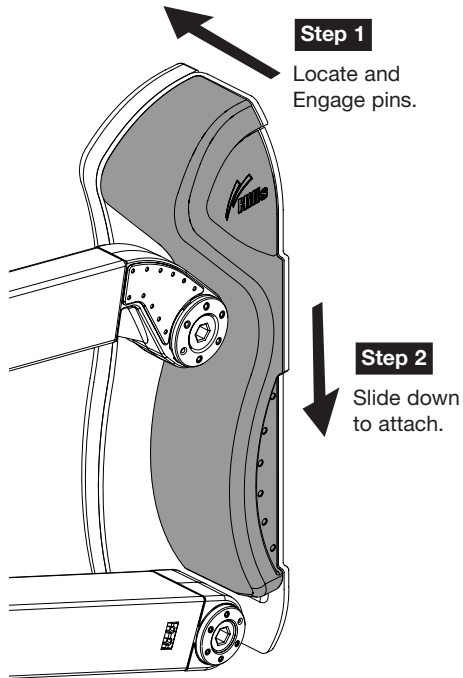
**Fig. 14**



## 5. Re-Attach Outer Cover Mouldings

- A. Locate the pins on Outer Cover mouldings with the keyed slots in the Mount Bracket and slide down to secure.

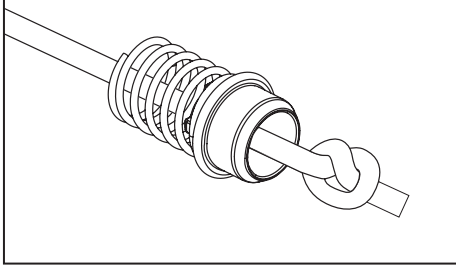
**Fig. 15**



Right Hand Mount Bracket  
Assembly shown.

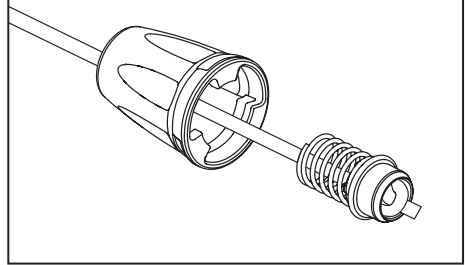
## To Attach Line Segments

**Step 1**



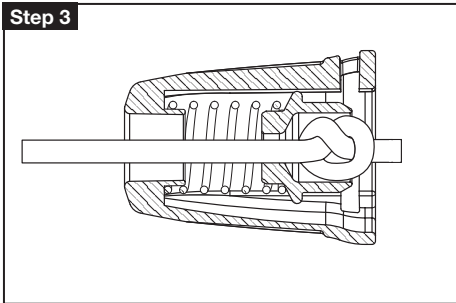
Your individual line segments are supplied partially sub-assembled like this.

**Step 2**



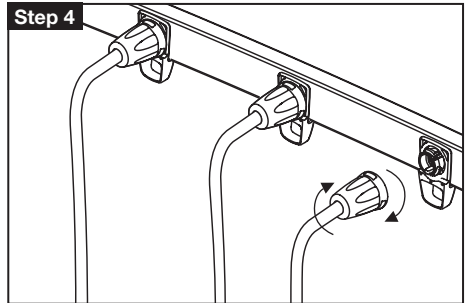
Add one Cover Cap to each line segment in the orientation as shown.

**Step 3**



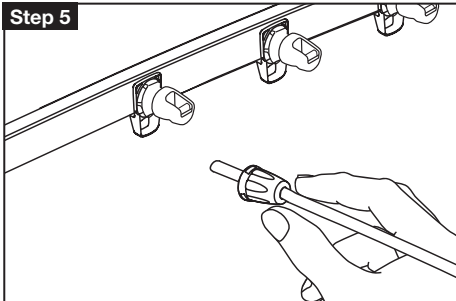
Ensure the Cover Cap, Line, Spring and Retainer are assembled like this.

**Step 4**



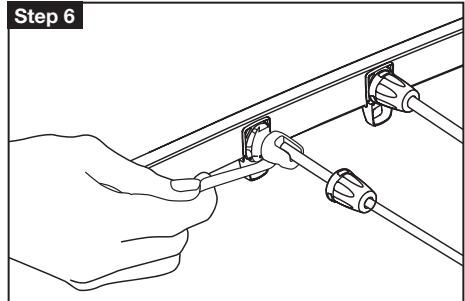
Attach this end of the Line assembly to a Tie-Off on the Right Hand Arm. Bayonet fit the Cover Cap by rotating clockwise until 'click' is felt. Repeat for all lines.

**Step 5**



Fit the second Cover Cap onto the other end of the line, (ensure correct orientation)

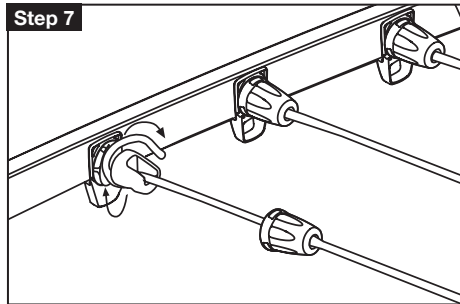
**Step 6**



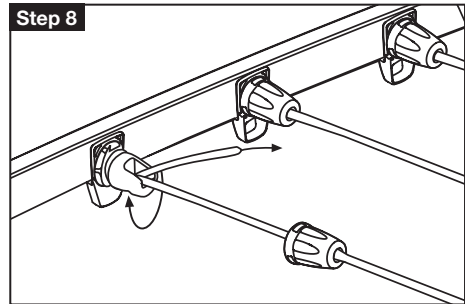
Insert the line down through the front slot of the Tensioner as shown, pull through line until desired tension is reached.

**(DO NOT OVER TENSION, as you can distort the Frame).**

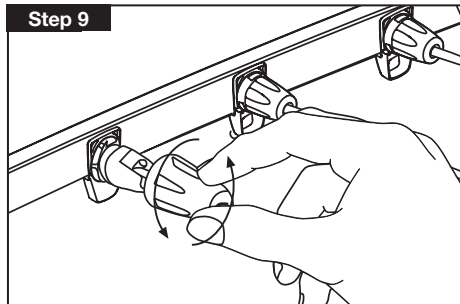
### To Attach Line Segments (Continued)



Loop the line around the rear groove of the Tensioner and pull tight to prevent line slipping.

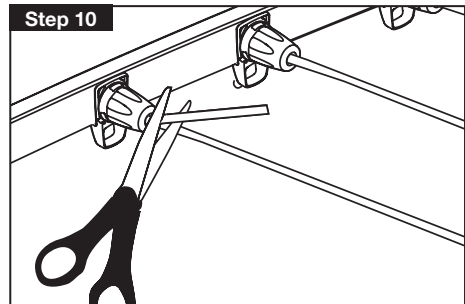


Feed the line up and back through the front slot of the Tensioner and pull tight.



Feed end of line through the Cover Cap and Bayonet fit by rotating clockwise until a slight 'click' is felt.

Note: A short video showing the attachment of line segments is available for viewing on the Hills website: [www.hills.com.au](http://www.hills.com.au)



Trim off any excess line flush with end of Cover Cap as shown.

We recommend trimming excess line after a few loads of washing have been hung to allow 'pre-stretch' of line to occur.

## Line Re-Tensioning

### To re-tension lines if required

- A. Remove Cover Cap on the Left Hand arm, by rotating anti-clockwise.
- B. Untie the existing line.
- C. Repeat Steps 6 to 10 as described above **(DO NOT OVER TENSION, as you can distort the frame).**

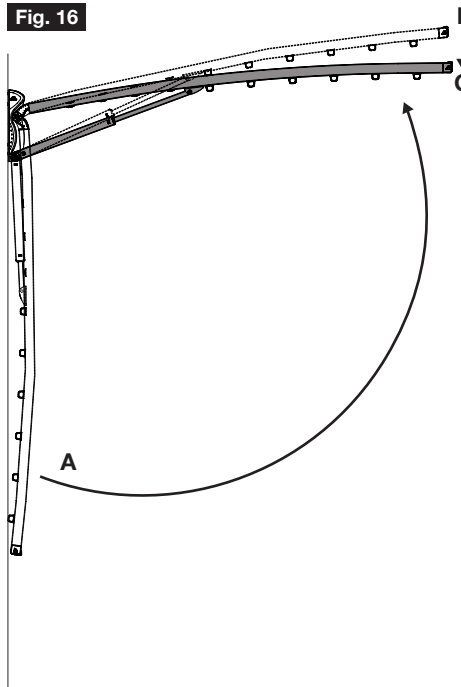


## To Raise the Clothesline (Fig.16)

- A. Loosely grip the Spreader Bar Handle.
- B. Pull the frame away from the wall slowly and raise above your head until you hear **both struts** 'click' once to indicate they have engaged.
- C. Now lower the frame slightly.

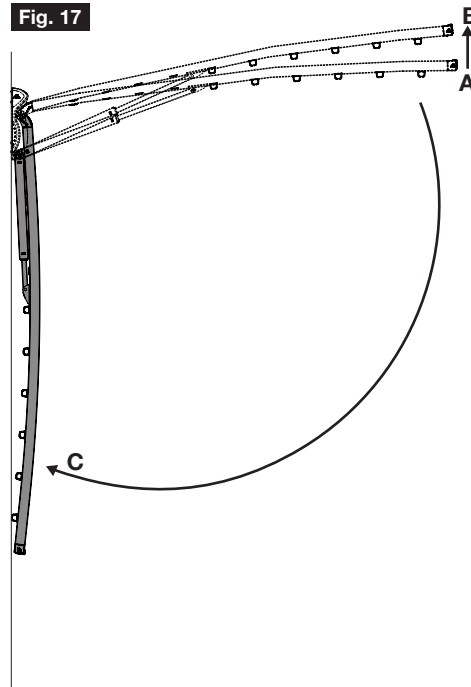
**Note:** If both struts have fully engaged, the frame will be supported squarely.

- D. If the struts did not engage on both sides repeat steps B. and C.



## To Lower the Clothesline (Fig.17)

- A. Loosely grip the Spreader Bar Handle.
- B. Raise the frame until you hear both struts 'click' once to indicate they have disengaged.
- C. Now lower the frame gently to its folded down position.



### Hills Handy Hints

Place smaller items of clothing on the lines nearest to the wall or posts and work your way outwards for larger items.

When hanging thick or bulky items, you may remove one piece of line to give yourself greater space between lines or lay the item over more than one line.

When you do not expect to fill the capacity of your clothesline, hang your clothes on the outer lines, as this will allow clothes to dry more easily.

### Care and Maintenance

Regularly inspect all components and check for wear and tear or damage. Ensure fasteners are secure. If there is any damage, parts should be replaced with original Hills spares. The Clothesline should be repaired before using again.

Your Clothesline should be periodically wiped clean with a damp cloth and mild detergent.

Your Clothesline should be easy to operate, but if left for a period of time it may become more difficult. It is recommended that the clothesline is raised and lowered regularly.

We do not recommend the use of oil or 'WD' type lubricants on any part of the Clothesline.

Wipe away any dirt and dust from the telescopic struts with a damp cloth once a month. More regularly in dusty conditions.

To maintain appearance and durability of coating on metal components we recommend a twice yearly application of a reputable brand of car polish or wax.

## Hills Guarantee

Hills Industries Limited undertakes that if any part of its manufacture has failed to operate correctly due to faulty workmanship or defective material, it will repair or replace the part free of cost for a period of TEN (10) years from date of purchase of the article, given fair wear and tear. The PVC line is guaranteed for a period of ONE (1) year. Evidence of unfair usage or incorrect adjustment by the owner will void this promise.

Hills Industries Limited will not be responsible for any costs in connection with freight or postage, or for expenditure necessary to dismantle the article, replace the part in position and re assemble the article.

This guarantee is in addition to any rights or remedies conferred on the consumer by Trades Practices Act or state laws.

As a proudly Australian company we are committed to provide you complete customer satisfaction. If you have questions about this product or find there are missing or damaged parts please call Hills direct on **1300 300 819** (cost of a local call) for assistance during normal business hours.



**This product is designed and tested under a Quality System which complies with ISO 9001.**

Made in China

Hills Industries Limited do not recommend the application of a 'canopy' on any of their outdoor dryer range.

Unless any addition or attachment to this product has Hills specific approval or is sold as a Hills Supa® Fold product the warranty on this product is waived. The product is designed to perform a specific task under established test loads and unauthorised attachments may produce stresses for which the design is not appropriate.

Designs, specifications and colours are subject to change without notice.

Hills Industries Limited  
A.B.N. 35 007 573 417

Issue June 2007  
PD1223b



For any assistance in Australia call  
**Hills Consumer Advice**  
on **1300 300 564** (cost of a local call)  
during normal business hours  
or visit **www.hills.com.au**

For any assistance in New Zealand call  
**09 262 3052** during normal business hours.



**Hills Industries Limited**  
A.B.N. 35 007 573 417