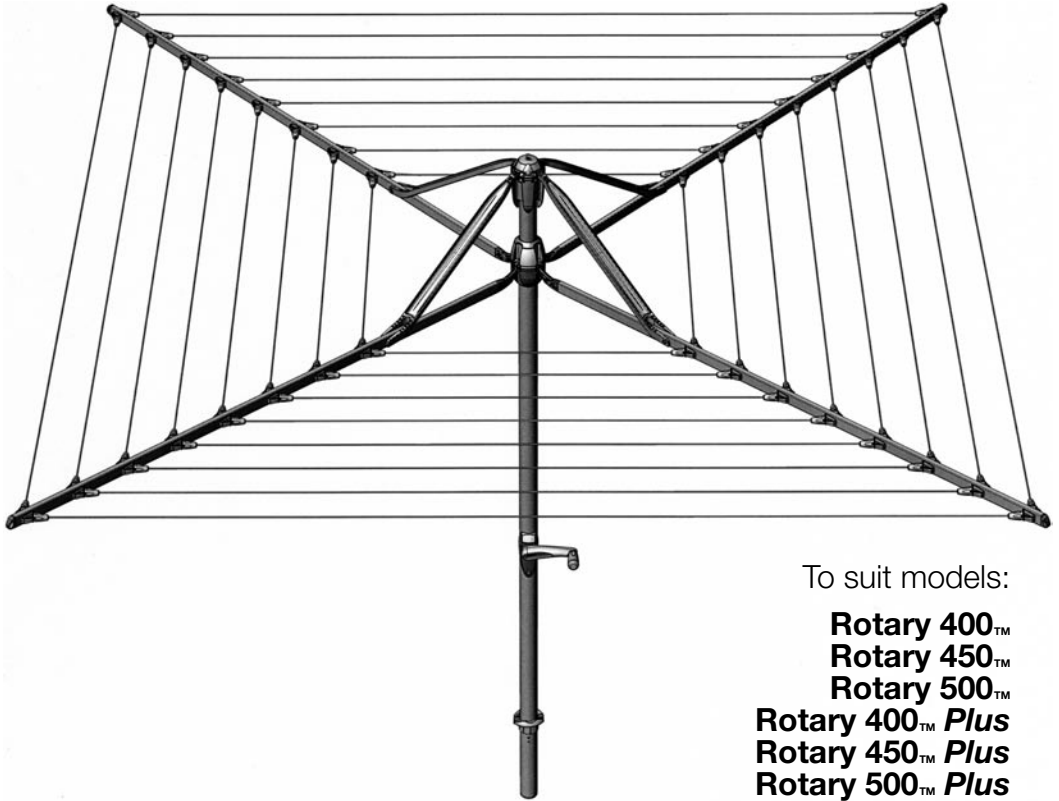


# **Hills** Rotary Folding Hoists

## Owner's Manual



To suit models:

**Rotary 400™**

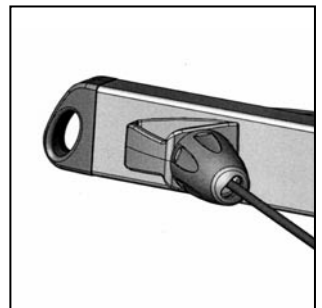
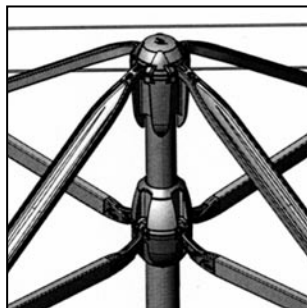
**Rotary 450™**

**Rotary 500™**

**Rotary 400™ Plus**

**Rotary 450™ Plus**

**Rotary 500™ Plus**



## Congratulations

Congratulations on the purchase of your new Hills Rotary Hoist, which will bring you many years of trouble free and efficient outdoor drying.

It is important that you read this Owner's Manual thoroughly before installation and use. In this way you will benefit from all of the design features and enjoy safe use of the product.

Thank you for choosing Hills.

## Warning

- Do not allow children or pets to swing on the Rotary Hoist or items of laundry.
- Do not wind down quickly. Ensure when raising and lowering your Rotary Hoist that bystanders (in particular children) are well clear.
- Do not use for any purpose other than to hang and dry washing.
- Do not use your Rotary Hoist if parts are worn or damaged.
- Patents and registered designs apply to this product.
- Hills Smart Pegs™ pose a choking hazard due to small parts. They are not suitable for children under 3 years old. Not to be used as a toy.

## Consumer Advice

Please retain this Owner's Manual. Record the following information from the carton for future reference.

Product Number: FD.....

Date of purchase:.....

Name and location of store:.....

.....

## Carton Contents

### Hills Rotary Hoist

Part name	Qty.
Main Standard	1
Head Assembly	1
Ground Socket	1
Line Retaining Strap	1
Owner's Manual	1
Plastic Spacers	3

### Rotary Plus Hoists also include

Part name	Qty.
Umbrella Adaptor Pack	1
Rain Bag	1
Hills Smart Pegs™	10
Mounting Brackets	2
Storage Case	1

For any assistance in Australia call

### Hills Consumer Advice

on **1300 300 564** (cost of a local call) during normal business hours or visit **www.hills.com.au**

For any assistance in New Zealand call

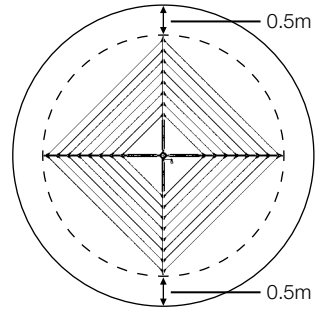
**09 262 3052** during normal business hours.

## Unpacking the Hoist

### Before you attempt to remove your Hills Rotary Hoist from the carton:

Unclip the plastic blocks holding the Rotary Hoist in the carton. Lift out Rotary Hoist and place to one side. Select suitable area for installation. Allow minimum of 0.5 metres clearance around the Rotary Hoist (**Fig. 1**).

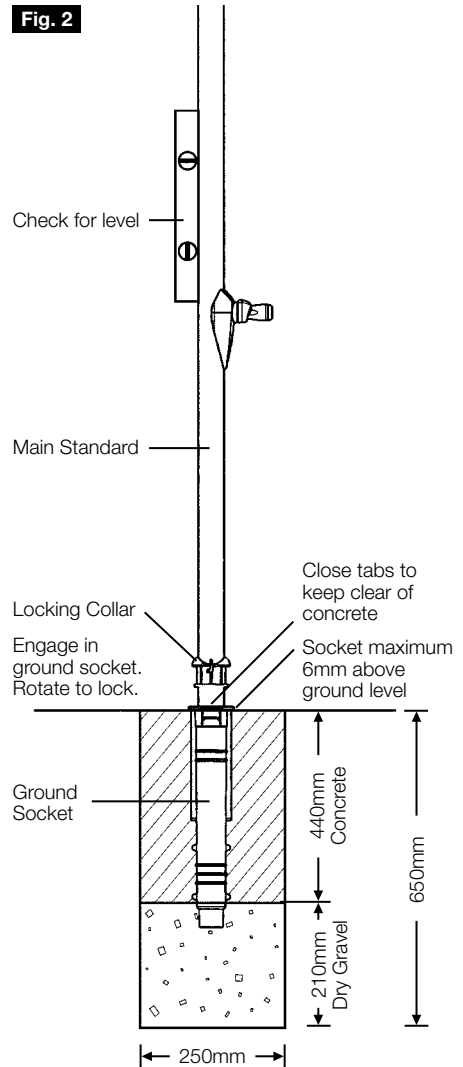
**Fig. 1**



## Installing the Main Standard

1. Dig a hole 250mm diameter by 650mm deep (**Fig. 2**).
2. Place approximately 210mm of coarse dry gravel into the hole.
3. Insert the main standard of the Rotary Hoist into the ground socket. Engage locking collar and lock into position. **Make sure** that the tabs are closed so as to prevent cement entering the locking recess in the ground socket.
4. Place ground socket and Rotary Hoist main standard into the hole. Check level vertically. **Do not** remove gravel from the hole, push socket into the gravel. The top of the socket must be 6mm maximum above ground level.
5. Support the main standard and concrete into position. Concrete should be damp enough to hold together when squeezed in hand. Settle concrete by pushing a thin stick into the mix several times. **Keep concrete out of the locking recess in the ground socket.**
6. Allow 24 hours for concrete to set before final assembly and use of your Rotary Hoist.

**Fig. 2**

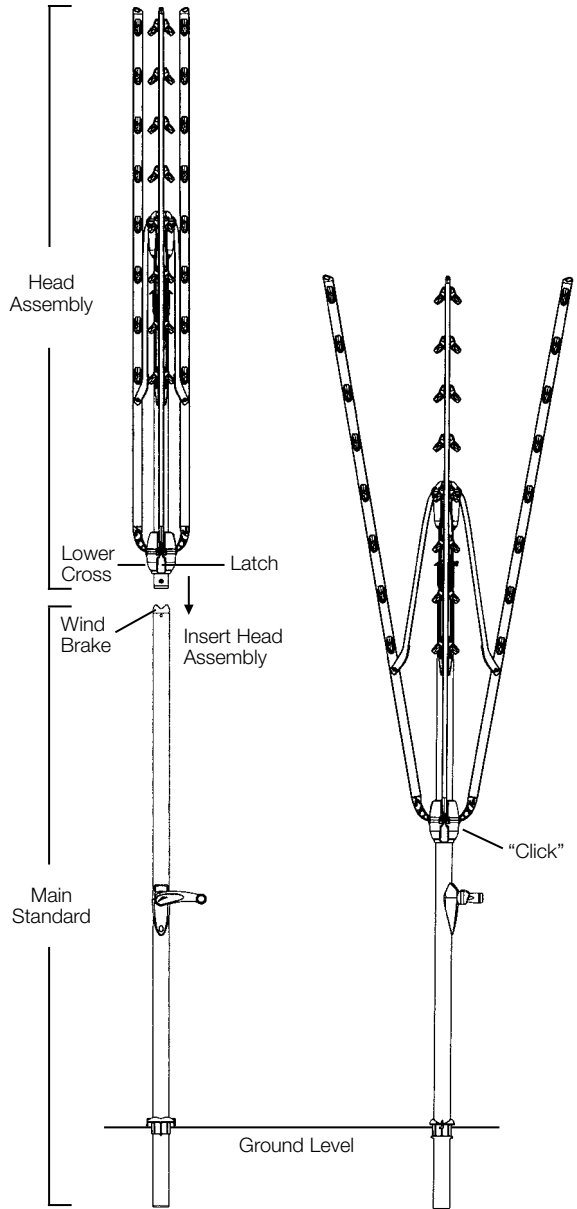


## Assembling the Hoist

1. Remove all plastic sleeves from the Rotary Hoist head assembly.
2. If the main standard has been removed from the ground socket since concreting, replace before next step.
3. Place the bottom of the Rotary Hoist head assembly into the top of the main standard and lower it until it stops (**Fig. 3**).
4. Raise the Rotary Hoist head assembly 100mm and push it down into the main standard to lock into position. (A loud click indicates locking).
5. Check that the Rotary Hoist head assembly is locked into position by lifting upwards. It should not come out. If the Rotary Hoist head is not engaged repeat steps 3 and 4.

**Note:** there will be a small amount of rotational movement between the wind brake and the lower cross latch. This is normal.

**Fig. 3**



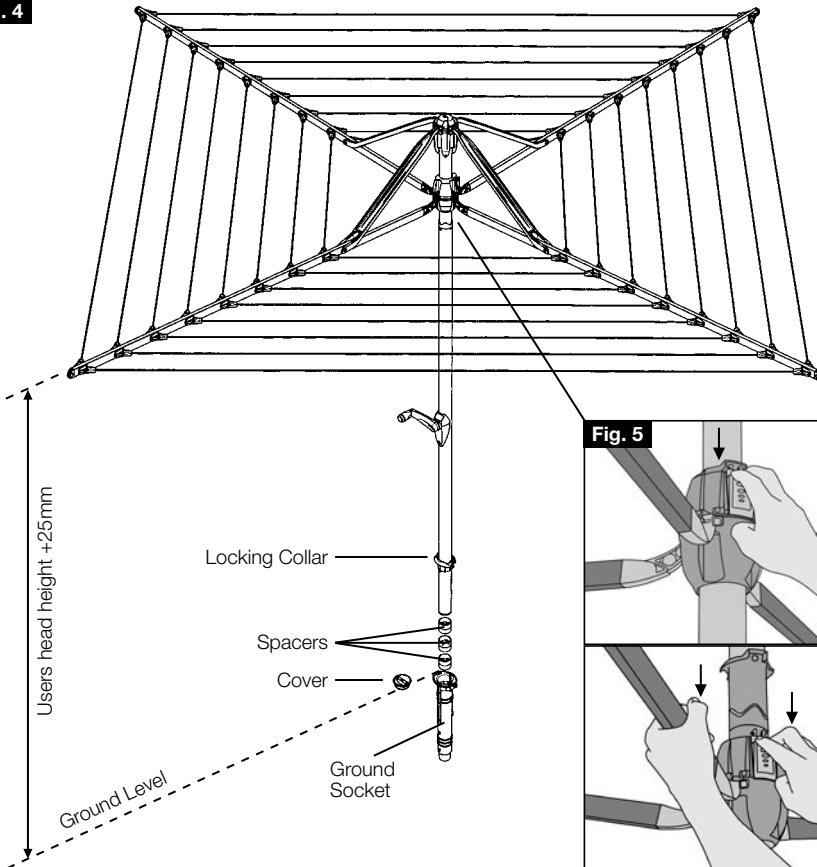
## Operating the Hoist

**Note:** The height adjusting system has an automatic device to disengage the handle at the maximum and minimum heights. A slight clicking noise will be heard when this system is operating.

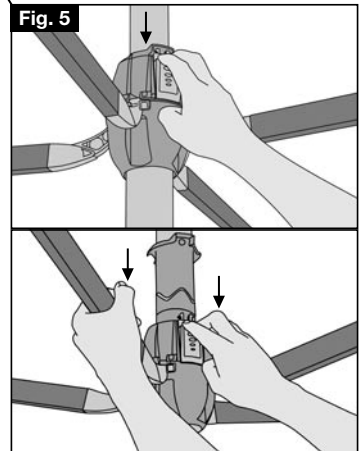
- 1. To adjust the height of your Rotary Hoist fit** either one or more of the plastic spacers provided into the ground socket. Omit spacers if standard height is satisfactory. Suggested operating height is user height +25mm (**Fig. 4**).
- 2. To Open:** Push the lower cross and arms up until the latch engages. Make sure that the lines are tangle free.

- 3. To Fold:** Release the lower cross by pushing the locking latch gently downwards. Lower until the arms are vertical (**Fig. 5**).
- 4.** Wrap the line retaining strap around the hoist to prevent lines from becoming tangled.
- 5. To Remove:** Unlock the locking collar by rotating anti-clockwise. Lift the Rotary Hoist from the ground socket and store in a suitable place. Insert the cover into the top of the ground socket.

**Fig. 4**



**Fig. 5**



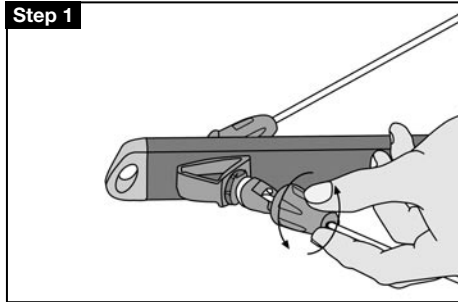
## Tensioning the Line

The lines are pre-tensioned in the factory. No initial tensioning is required. If, over time, the line does need tensioning the Rotary Hoist must be in the open position.

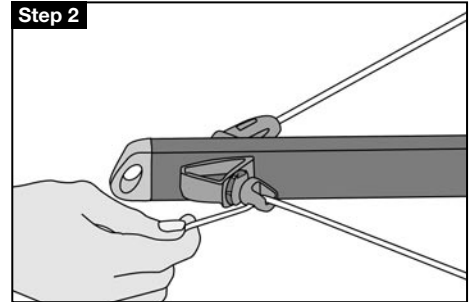
After inserting the Rotary Hoist into the ground socket and opening, follow the

tensioning instructions below.

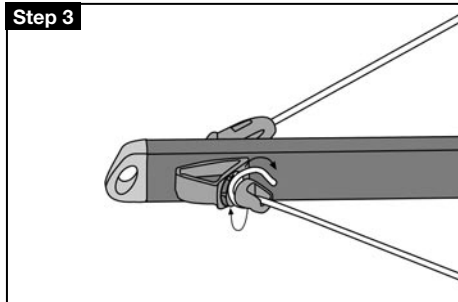
**Note:** A video clip of this operation can be viewed on the Hills website at [www.hills.com.au](http://www.hills.com.au) – refer to the clotheslines product page.



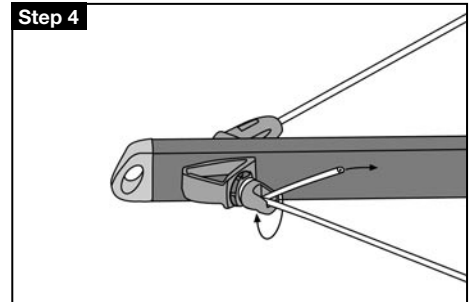
Remove the line cover by rotating anti-clockwise.



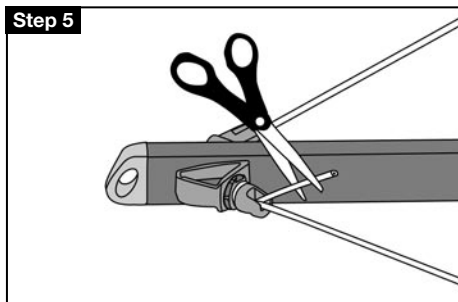
After unthreading the line from the tensioner, pull the line through tensioner until desired tension is reached.



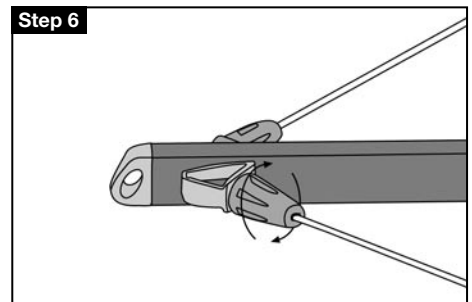
Loop line around back groove of the tensioner and pull tight to prevent line from slipping.



Feed the line up and through the front slot of the tensioner and pull tight.



Using scissors carefully trim off excess line, leaving approximately 10mm sticking out.



Re-attach line cover by rotating clockwise. This will obscure the small piece of excess line remaining.

## Rotary Plus Models Only

Rotary Plus models include additional items to enhance the functionality of the Hoist.

### Additional items include:

- An umbrella socket adaptor pack
- Wall storage brackets
- A rain bag
- A starter set of 10 Hills Smart Pegs™ (additional packs of 20 or 50 available from your retailer)

## Socket Adaptor Pack

### To open:

- 1 Pull handle out from pack.
- 2 Lift open pack (**Fig. 6**).

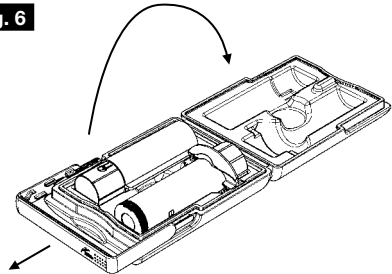
Inside the pack you will find a range of adaptors to suit the pole diameters of various umbrellas available from your retailer (umbrella not included).

Sizes are 26mm, 30mm, 35mm, 40mm, 45mm and 50mm.

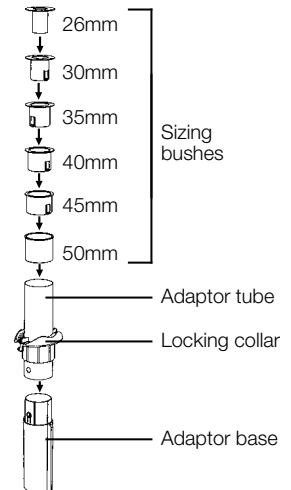
### To use the adaptors:

- 1 Wind down the hoist. Fold up and remove from ground. **Note:** Make sure the lines are tangle free.
- 2 Remove the sizing bushes from adaptor tube by pressing the plastic snap on the side of the tube. Slide sizing bushes over your umbrella to select correct size. Snap the correct size bush into all of the remaining larger sized bushes and re-snap into the adaptor tube. Push and snap the adaptor tube over the top of the adaptor base and lock in position. (**Fig 7**).
- 3 Place adaptor assembly into ground socket and lock in place with the locking collar. Place umbrella into socket (refer to instructions supplied with your umbrella on how to operate).

**Fig. 6**



**Fig. 7**



**Warning:** The socket adaptors do not provide load retention for your umbrella. If strong winds are forecast, remove the umbrella from the ground socket.

## Storage of your Rotary Hoist

You can store your Rotary Plus Hoist vertically or horizontally against a wall with the brackets provided.

Select a suitable location to mount the brackets. **Note:** A space 3.5m x 0.5m is required to mount the brackets. No pipes or obstructions should be in the space required.

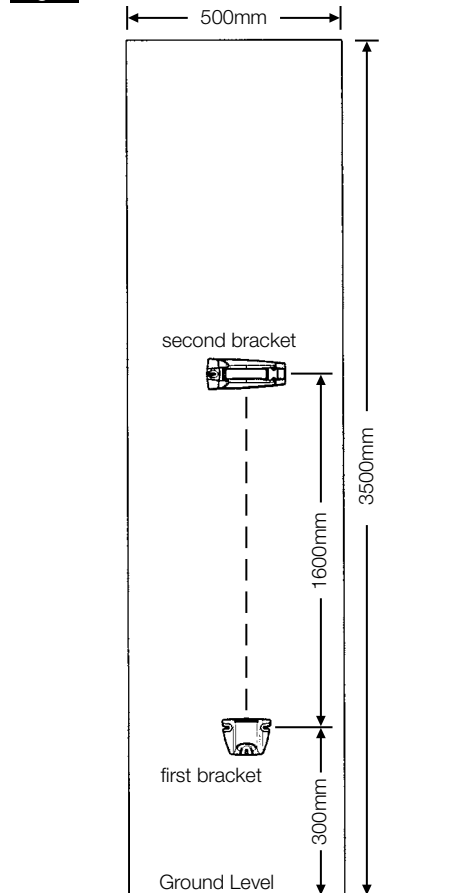
**Note:** Masonry anchors are included with this product. Consult your local hardware specialist for advice on which fasteners are most suitable for your particular type of building.

## Securing Brackets

### Vertical mounting

1. In the selected area measure 300mm from the ground to the centre of the mounting holes in the first bracket (**Fig 8**).
2. Using a spirit level, ensure the first bracket is level and mark the position of holes in the bracket onto the wall. Drill holes and attach bracket using the recommended anchors from your hardware store.
3. Measure 1600mm from the centre marks of the first bracket and mark the position for the second bracket. Ensure the brackets are in line with each other. Drill and attach the second bracket as per the first bracket.

**Fig. 8**





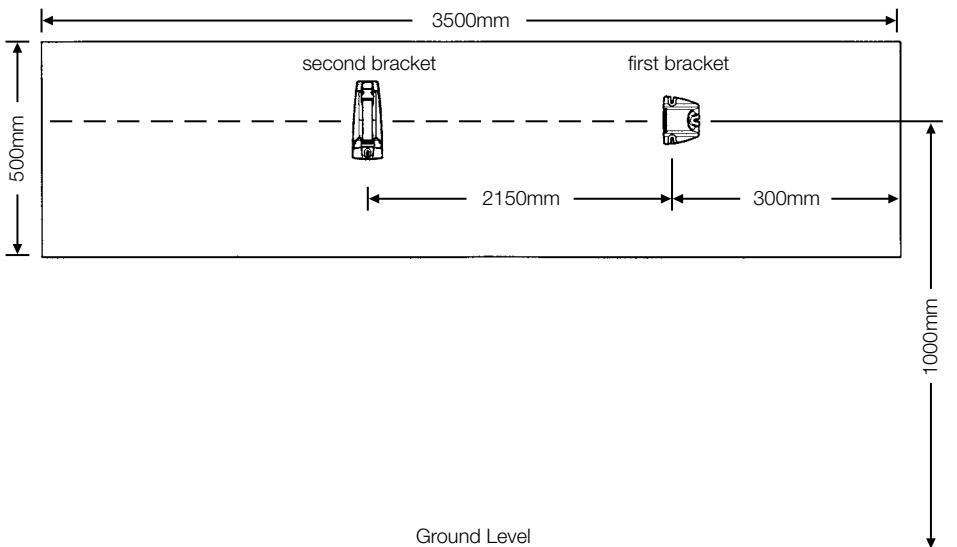
## Securing Brackets

### Horizontal mounting

**Note:** In the horizontal position it is recommended that the storage brackets be positioned no higher than 1m from the ground.

1. In the selected area measure 300mm from the edge to the centre of the mounting holes in the first bracket (**Fig 9**).
2. Using a spirit level, ensure the first bracket is level and mark the position of holes in the bracket onto the wall. Drill holes and attach bracket using the recommended anchors from your hardware store.
3. Measure 2150mm from the centre marks of the first bracket and mark the position for the second bracket. Ensure the brackets are in line with each other. Drill and attach the second bracket as per the first bracket.

**Fig. 9**



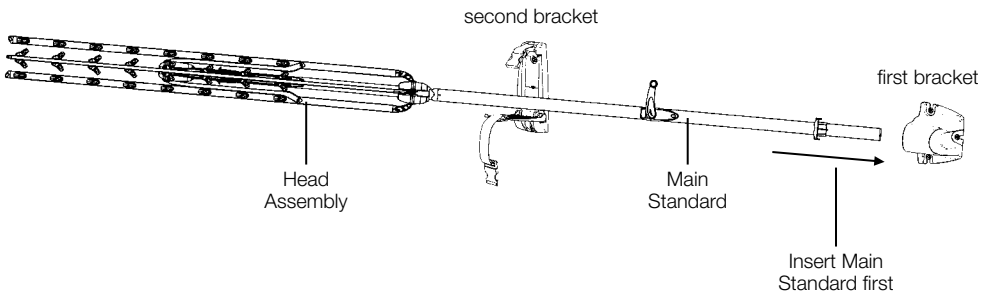
## Stowing the Hoist

1. Fold up the hoist. Wrap the line retaining strap around the hoist to prevent lines from becoming tangled.
2. We recommend that you place the rain bag on the hoist before it is stored.
3. Unclip the second bracket.
4. Place the end of the main standard into the first bracket.
5. Ensure main standard is in the first bracket and you have a secure hold of the hoist head assembly when stowing the hoist (**Fig. 10**).
6. Place the head assembly into the second bracket. Secure the head assembly with the strap provided and clip together. Tighten strap to secure hoist in position.

To remove, hold the head assembly securely. Loosen the strap on the second bracket and unclip. Remove the main standard from the first bracket.

**Warning:** When the hoist is placed into the storage brackets ensure children do not attempt to remove the hoist from the brackets.

**Fig. 10**



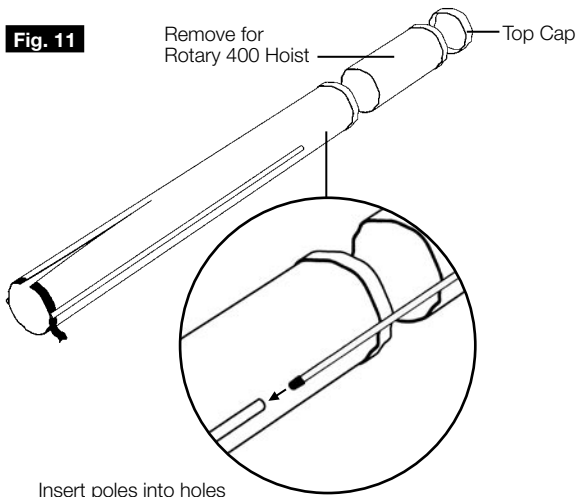
## Rain bag

Your Rotary Plus Hoist pack includes a protective rain bag which can be placed over the head assembly of your hoist when it has been folded up.

### To fit your rain bag

1. Fold up the hoist. Wrap the line retaining strap around the hoist to prevent lines from becoming tangled.
2. Remove rain bag and poles from the storage bag.
3. Assemble the two poles by straightening to allow the three sections to snap together. Unroll the rain bag. Slide the poles into the sleeves on the outside of the bag. Secure poles in the sleeve (**Fig. 11**).
4. Unzip the rain bag and lift over the top of the hoist from the back (**Fig. 12**). Lower the bag until it covers the hoist. Zip the rain bag closed and secure the base with the velcro strap.

**Note:** If you have a Rotary 400 Plus model you will need to unzip the top section of the bag and remove it, as this section of fabric is not required for this model. Zip top cap to remaining section of main bag.



**Fig. 12**



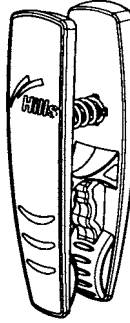
## Hills Smart Pegs™

The Hills Smart Pegs™ included with your Rotary Plus Hoist can be used in the same fashion as regular pegs.

Refer to the separate handy hints guide for suggestions on the most effective ways of pegging clothes to the line.

Hills Smart Pegs™ are stabilised against sunlight and can be left outside without severe deterioration occurring. They are also dual moulded for superior comfort and grip.

Additional packs of pegs can be purchased at most hardware and general merchant stores.



**Warning: CHOKING HAZARD.**  
**Small parts. Not suitable for**  
**children under 3 years old.**  
**Not to be used as a toy.**

## Accessories

Description	Product Code
Hills Smart Pegs™, 20 pack, Ocean Blue	FD86052
Hills Smart Pegs™, 20 pack, Forest Glade	FD86054
Hills Smart Pegs™, 20 pack, Desert Ochre	FD86056
Hills Smart Pegs™, 50 pack, mixed	FD86058
Line Replacement Pack, 70 metres, Grey	FD903530
Line Repair Pack, 20 metres, Grey	FD903531

## Spares

Description	Product Code
Ground Socket Pack	FD903532
Ground Socket Locking Collar	FD903533
Winding Gear Assembly	FD903534
Handle Assembly	FD903535
Handle Grip	FD903536
Line Tensioner Set	FD903537
Latch Assembly	FD903545
Upper Cross Assembly	FD903546

A more comprehensive range of spare parts is available on request. Please call Hills Consumer Advice Centre on **1300 300 564** (cost of a local call) for assistance during normal business hours or visit **[www.hills.com.au](http://www.hills.com.au)**

### Hills Handy Hints

Place smaller items of clothing on the lines nearest to the central main standard and work your way outwards for larger items.

Hoist clothing high into the air for maximum drying efficiency and to keep longer items away from the ground.

When hanging thick or bulky items, you may remove one piece of line to give yourself greater space between lines.

One of the benefits of a Rotary Hoist is that it will spin naturally in the breeze, allowing the sun to shine on all of your clothes and speed up drying time. When you do not expect to fill the capacity of your hoist, hang your clothes on the outer lines, as this will allow your clothesline to spin more easily.

### Care and Maintenance

It is a good idea to inspect all components and check for wear and tear or damage. If there is any damage, parts should be replaced with original Hills spares or the Hoist repaired before using again.

The hoist should be periodically wiped clean with a damp cloth and mild detergent.

The hoist should be easy to remove, but if left for a period of many years it may become more difficult. It is recommended that the hoist is lifted out of the ground at least every six months.

It is strongly recommended that you remove the hoist when mowing the lawn or using other machinery in the garden to avoid accidentally damaging the main standard.

## Hills Guarantee

Hills Industries Limited undertake that if any part of its manufacture has failed to operate correctly due to faulty workmanship or defective material, it will repair or replace the part free of cost for a period of TEN (10) years from date of purchase of the article, given fair wear and tear. The PVC line and the Rotary Hoist Plus components (rain bag, Smart Pegs<sup>sm</sup>, brackets, adaptors and case) are also guaranteed for a period of ONE (1) year. Evidence of unfair usage or incorrect adjustment by the owner will void this promise.

Hills Industries Limited will not be responsible for any costs in connection with freight or postage, or for expenditure necessary to dismantle the article, replace the part in position and re assemble the article.

This guarantee is in addition to any rights or remedies conferred on the consumer by Trades Practices Act or state laws.

As a proudly Australian company we are committed to provide you complete

customer satisfaction. If you have questions about this product or find there are missing or damaged parts please call Hills direct on **1300 300 819** (cost of a local call) for assistance during normal business hours.

Hills Industries Limited do not recommend the application of a 'canopy' on any of their outdoor dryer range.

Unless any addition or attachment to this product has Hills specific approval or is sold as a Hills product the warranty on this product is waived. The product is designed to perform a specific task under established test loads and unauthorised attachments may produce stresses for which the design is not appropriate.

Designs, specifications and colours are subject to change without notice.

Hills Industries Limited  
A.B.N. 35 007 573 417

Issue August 2006  
PD1079a



**This product is designed and tested under a Quality System which complies with ISO 9001.**

Made in China



For any assistance in Australia call **Hills Consumer Advice** on **1300 300 564** (cost of a local call) during normal business hours or visit **[www.hills.com.au](http://www.hills.com.au)**

For any assistance in New Zealand call **09 262 3052** during normal business hours.



**Hills Industries Limited**  
A.B.N. 35 007 573 417